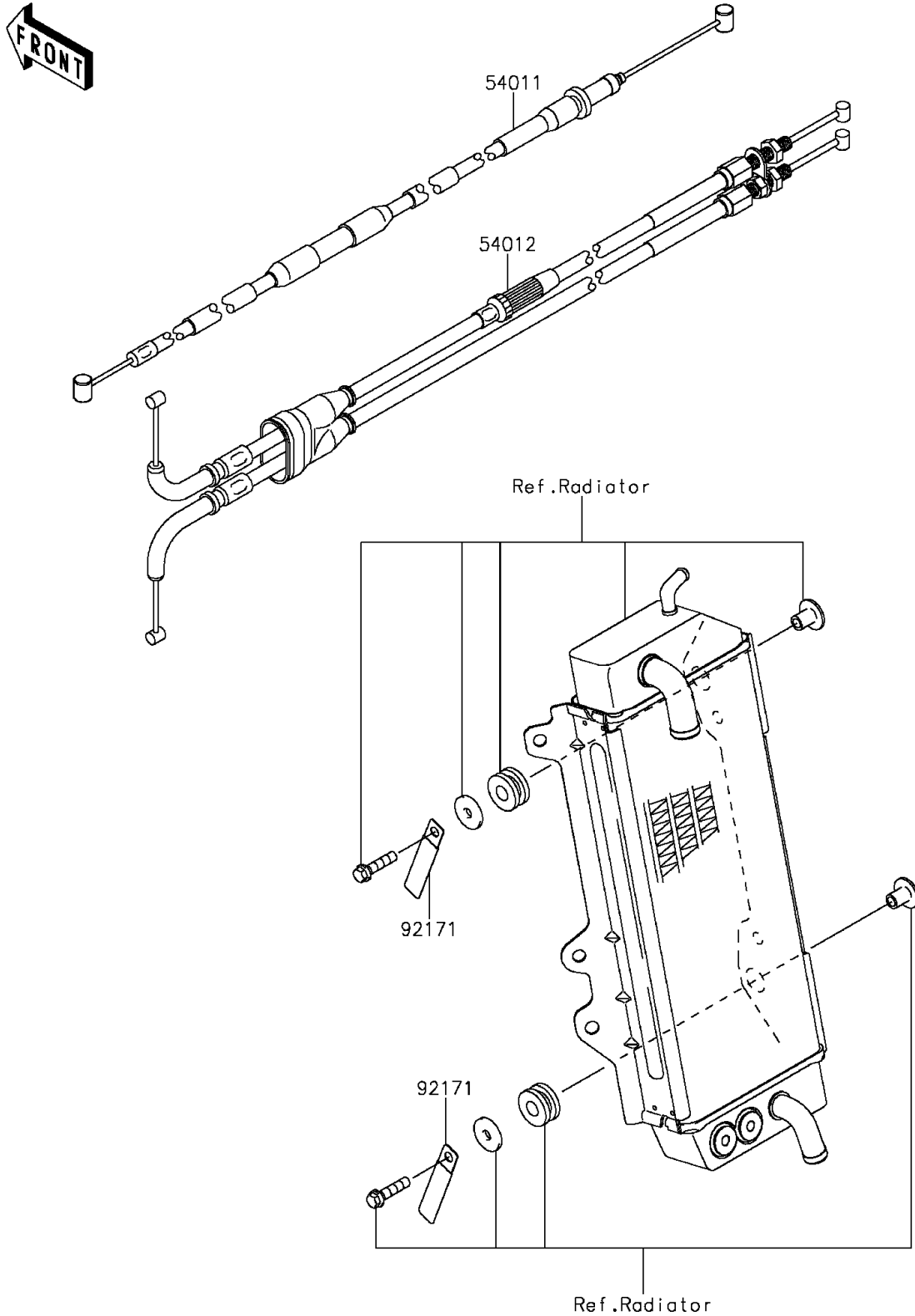


2016 KX™ 250F PARTS DIAGRAM

Cables

F2540



2016 KX™ 250F PARTS LIST

Cables

ITEM NAME	PART NUMBER	QUANTITY
CABLE-CLUTCH (Ref # 54011)	54011-0569	1
CABLE-THROTTLE (Ref # 54012)	54012-0591	1
CLAMP,L=60 (Ref # 92171)	92171-0652	2