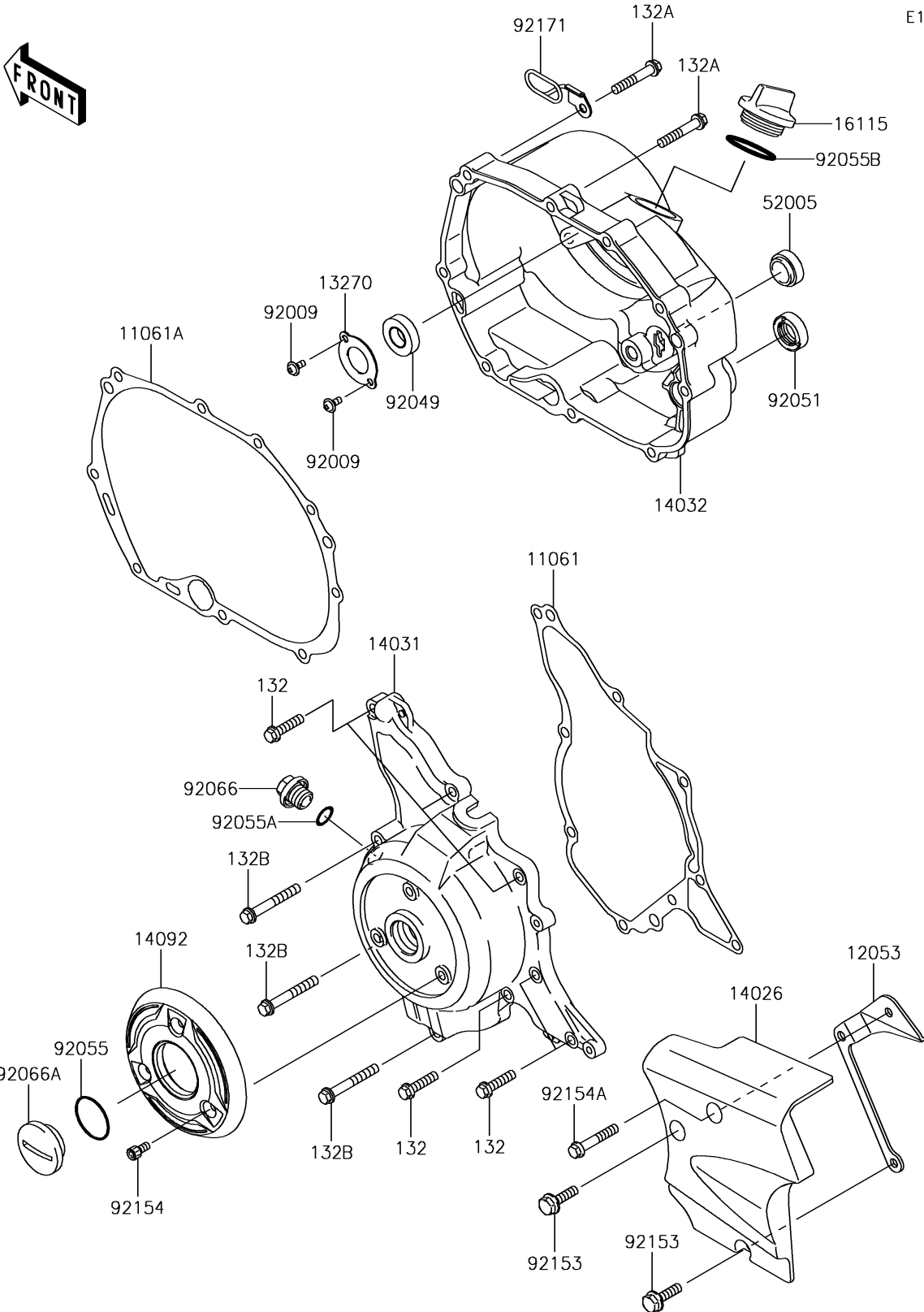


# 2019 KLX®110 PARTS DIAGRAM

Engine Cover(s)

E1431



## 2019 KLX®110 PARTS LIST

### Engine Cover(s)

ITEM NAME	PART NUMBER	QUANTITY
GASKET,GENERATOR COVER (Ref # 11061)	11061-0257	1
GASKET,CLUTCH COVER (Ref # 11061A)	11061-0426	1
GUIDE-CHAIN (Ref # 12053)	12053-0164	1
BOLT-FLANGED-SMALL,6X25 (Ref # 132)	132BD0625	6
PLATE (Ref # 13270)	13270-1800	1
BOLT-FLANGED-SMALL,6X35 (Ref # 132A)	132BD0635	9
BOLT-FLANGED-SMALL,6X45 (Ref # 132B)	132BD0645	3
COVER-CHAIN (Ref # 14026)	14026-0070	1
COVER-GENERATOR,SILVER (Ref # 14031)	14031-0119-GS	1
COVER-CLUTCH (Ref # 14032)	14032-0129	1
COVER (Ref # 14092)	14092-0029	1
CAP-OIL FILLER (Ref # 16115)	16115-1068	1
GAUGE,OIL LEVEL (Ref # 52005)	52005-0019	1
SCREW (Ref # 92009)	92009-1745	2
SEAL-OIL,S 12 28 7 HS (Ref # 92049)	92049-0051	1
SEAL-OIL,TB16267 (Ref # 92051)	92051-003	1
RING-O,25.7X2.4 (Ref # 92055)	92055-0154	1
RING-O,14.8X2.4 (Ref # 92055A)	92055-0194	1
RING-O,31.5X2.6 (Ref # 92055B)	92055-049	1
PLUG,14X10 (Ref # 92066)	92066-0724	1
PLUG,GENERATOR COVER CAP (Ref # 92066A)	92066-1565	1
BOLT,6X20 (Ref # 92153)	92153-1184	2
BOLT,SOCKET,5X10 (Ref # 92154)	92154-0789	3
BOLT,FLANGED,6X35 (Ref # 92154A)	92154-1297	1
CLAMP,DRAIN TUBE (Ref # 92171)	92171-1124	1