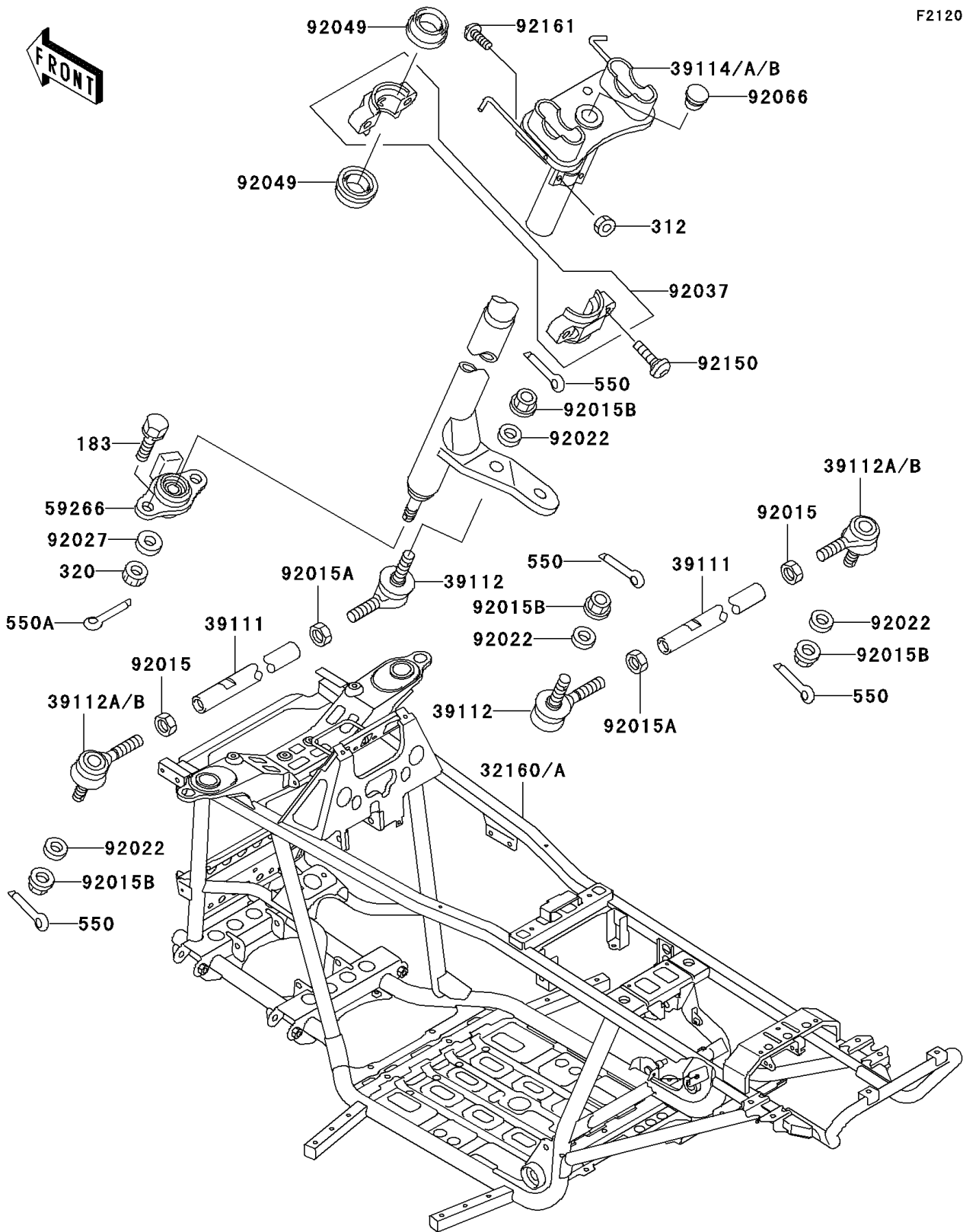


# 2001 Prairie 300 PARTS DIAGRAM

Frame

F2120



## 2001 Prairie 300 PARTS LIST

### Frame

ITEM NAME	PART NUMBER	QUANTITY
BOLT-UPSET-WS-SMALL,8X22 (Ref # 183)	183G0822	2
NUT-HEX,6MM,BLACK (Ref # 312)	312C0600	2
NUT-CASTLE (Ref # 320)	320H1000	1
PIN-COTTER,2.0X15 (Ref # 550)	550D2015	4
PIN-COTTER,2.5X18 (Ref # 550A)	550D2518	1
FRAME-COMP (Ref # 32160A)	32160-1675	1
ROD-TIE (Ref # 39111)	39111-1090	2
RODEND-TIE (Ref # 39112)	39112-1063	2
RODEND-TIE (Ref # 39112B)	39112-1083	2
SHAFT-COMP-STRG (Ref # 39114A)	39114-1086	1
JOINT-BALL (Ref # 59266)	59266-1105	1
NUT,LOCK,10MM (Ref # 92015)	92015-1460	2
NUT,LOCK,10MM (Ref # 92015A)	92015-1494	2
NUT,LOCK,FLANGED,10MM (Ref # 92015B)	92015-1717	4
WASHER,10.5X20X1 (Ref # 92022)	92022-239	4
COLLAR,10X21.3X7 (Ref # 92027)	92027-1817	1
CLAMP,STEERING SHAFT (Ref # 92037)	92037-1975	1
SEAL-OIL,SR7 25 34 7.8 NS (Ref # 92049)	92049-1278	2
PLUG (Ref # 92066)	92066-1220	1
BOLT (Ref # 92150)	92150-1058	2
DAMPER (Ref # 92161)	92161-1101	2