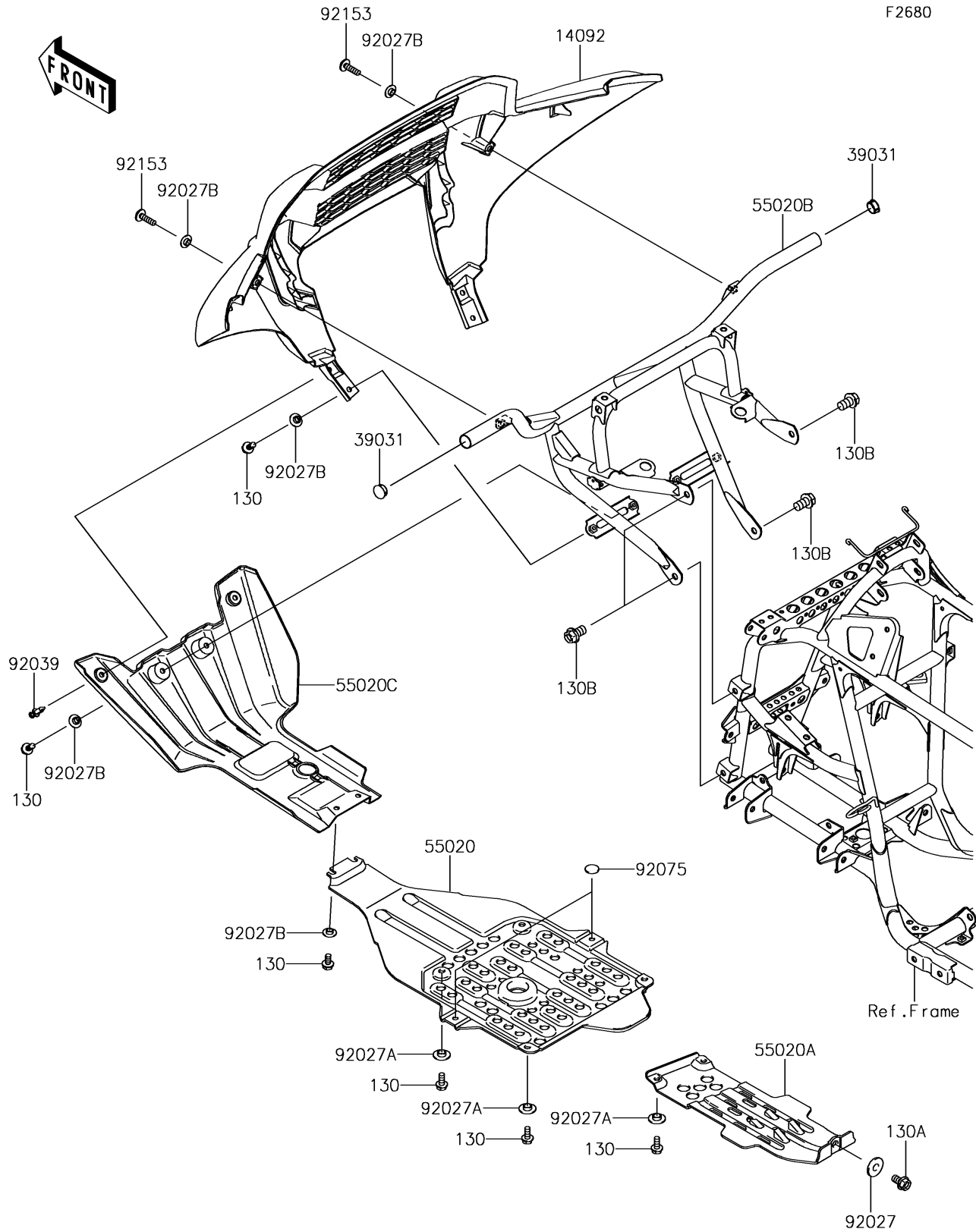


2016 BRUTE FORCE® 750 4x4i EPS PARTS DIAGRAM

Guard(s)



2016 BRUTE FORCE® 750 4x4i EPS PARTS LIST

Guard(s)

| ITEM NAME | PART NUMBER | QUANTITY |
|---|---------------|----------|
| BOLT-FLANGED,6X14 (Ref # 130) | 130BA0614 | 12 |
| BOLT-FLANGED,8X14 (Ref # 130A) | 130BA0814 | 1 |
| BOLT-FLANGED,10X16 (Ref # 130B) | 130BA1016 | 4 |
| COVER,BUMPER,F.BLACK (Ref # 14092) | 14092-0188-6Z | 1 |
| CAP-END (Ref # 39031) | 39031-0011 | 2 |
| GUARD,ENGINE (Ref # 55020) | 55020-0065 | 1 |
| GUARD,REAR GEAR BOX (Ref # 55020A) | 55020-0105 | 1 |
| GUARD,FR (Ref # 55020B) | 55020-0392 | 1 |
| GUARD,FRONT SKID,F.BLACK (Ref # 55020C) | 55020-0426-6Z | 1 |
| COLLAR (Ref # 92027) | 92027-1354 | 1 |
| COLLAR (Ref # 92027A) | 92027-1794 | 6 |
| COLLAR (Ref # 92027B) | 92027-4020 | 8 |
| RIVET (Ref # 92039) | 92039-0776 | 2 |
| DAMPER,RUBBER (Ref # 92075) | 92075-261 | 2 |
| BOLT,SOCKET,6X22 (Ref # 92153) | 92153-0574 | 2 |