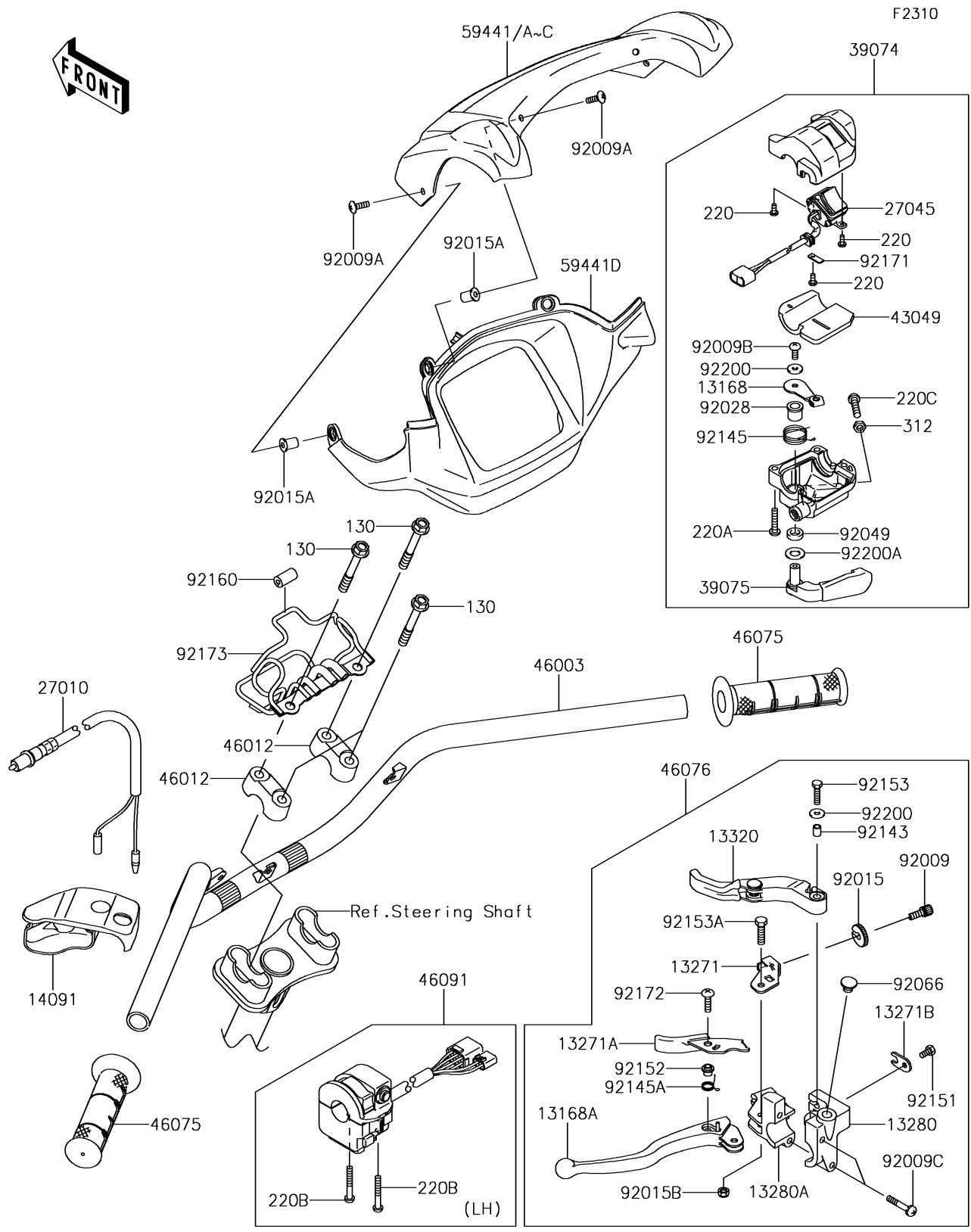


2018 BRUTE FORCE® 750 4x4i EPS PARTS DIAGRAM

Handlebar



2018 BRUTE FORCE® 750 4x4i EPS PARTS LIST

Handlebar

| ITEM NAME | PART NUMBER | QUANTITY |
|---|----------------|----------|
| LEVER (Ref # 13168) | 13168-1715 | 1 |
| LEVER,LH (Ref # 13168A) | 13168-1736 | 1 |
| PLATE,LOCK (Ref # 13271) | 13271-1259 | 1 |
| PLATE,LEVER LOCK (Ref # 13271A) | 13271-1635 | 1 |
| PLATE,WIRE OUTER STOPPER (Ref # 13271B) | 13271-1636 | 1 |
| HOLDER,DIFF LOCK LEVER (Ref # 13280) | 13280-1226 | 1 |
| HOLDER,LEVER,LH (Ref # 13280A) | 13280-1227 | 1 |
| LEVER-ASSY,DIFF LOCK (Ref # 13320) | 13320-1018 | 1 |
| COVER,DIFF LOCK LEVER (Ref # 14091) | 14091-1403 | 1 |
| SWITCH,BRAKE (Ref # 27010) | 27010-1294 | 1 |
| SWITCH-ASSY (Ref # 27045) | 27045-0010 | 1 |
| LEVER-ASSY-THROTTLE (Ref # 39074) | 39074-0002 | 1 |
| LEVER-THROTTLE (Ref # 39075) | 39075-1062 | 1 |
| PACKING (Ref # 43049) | 43049-1088 | 1 |
| HANDLE (Ref # 46003) | 46003-1580 | 1 |
| HOLDER-HANDLE (Ref # 46012) | 46012-1168 | 2 |
| GRIP (Ref # 46075) | 46075-0065 | 2 |
| LEVER-ASSY-GRIP,DIFF LOCK (Ref # 46076) | 46076-1238 | 1 |
| HOUSING-ASSY-CONTROL (Ref # 46091) | 46091-0243 | 1 |
| COVER-HANDLE,FR,V.BLUE (Ref # 59441A) | 59441-0005-40D | 1 |
| COVER-HANDLE,FR,S.BLACK (Ref # 59441C) | 59441-0005-839 | 1 |
| COVER-HANDLE,RR,F.BLACK (Ref # 59441D) | 59441-0006-6Z | 1 |
| SCREW,CABLE ADJUST,8MM (Ref # 92009) | 92009-1435 | 1 |
| SCREW,5X16,BLACK (Ref # 92009A) | 92009-1654 | 4 |
| SCREW (Ref # 92009B) | 92009-1959 | 1 |
| SCREW,6X30 (Ref # 92009C) | 92009-1961 | 2 |
| NUT,CABLE ADJUST LOCK,8MM (Ref # 92015) | 92015-1596 | 1 |
| NUT,WELL,5MM (Ref # 92015A) | 92015-1757 | 4 |
| NUT (Ref # 92015B) | 92015-1829 | 1 |

2018 BRUTE FORCE® 750 4x4i EPS PARTS LIST

Handlebar

| ITEM NAME | PART NUMBER | QUANTITY |
|---------------------------------------|-------------|----------|
| BUSHING (Ref # 92028) | 92028-1986 | 1 |
| SEAL-OIL (Ref # 92049) | 92049-1578 | 1 |
| PLUG,9.5X8,POLYETHYLENE (Ref # 92066) | 92066-1077 | 1 |
| COLLAR (Ref # 92143) | 92143-1216 | 1 |
| SPRING (Ref # 92145) | 92145-1392 | 1 |
| SPRING (Ref # 92145A) | 92145-1429 | 1 |
| BOLT,5X10 (Ref # 92151) | 92151-1975 | 1 |
| COLLAR (Ref # 92152) | 92152-1176 | 1 |
| BOLT-FLANGED,8X60 (Ref # 130) | 130CA0860 | 4 |
| SCREW-PAN-CROS,3X8 (Ref # 220) | 220AA0308 | 3 |
| SCREW-PAN-CROS,5X25 (Ref # 220A) | 220AB0525 | 3 |
| SCREW-PAN-CROS,5X35 (Ref # 220B) | 220AB0535 | 2 |
| SCREW-PAN-CROS,6X25 (Ref # 220C) | 220AB0625 | 1 |
| NUT-HEX,6MM,BLACK (Ref # 312) | 312AB0600 | 1 |
| BOLT,5X20 (Ref # 92153) | 92153-1129 | 1 |
| BOLT (Ref # 92153A) | 92153-1919 | 1 |
| DAMPER,4.5X11X20 (Ref # 92160) | 92160-1074 | 1 |
| CLAMP (Ref # 92171) | 92171-1344 | 1 |
| SCREW,5X20 (Ref # 92172) | 92172-0078 | 1 |
| CLAMP (Ref # 92173) | 92173-0741 | 1 |
| WASHER (Ref # 92200) | 92200-1558 | 2 |
| WASHER (Ref # 92200A) | 92200-1559 | 1 |