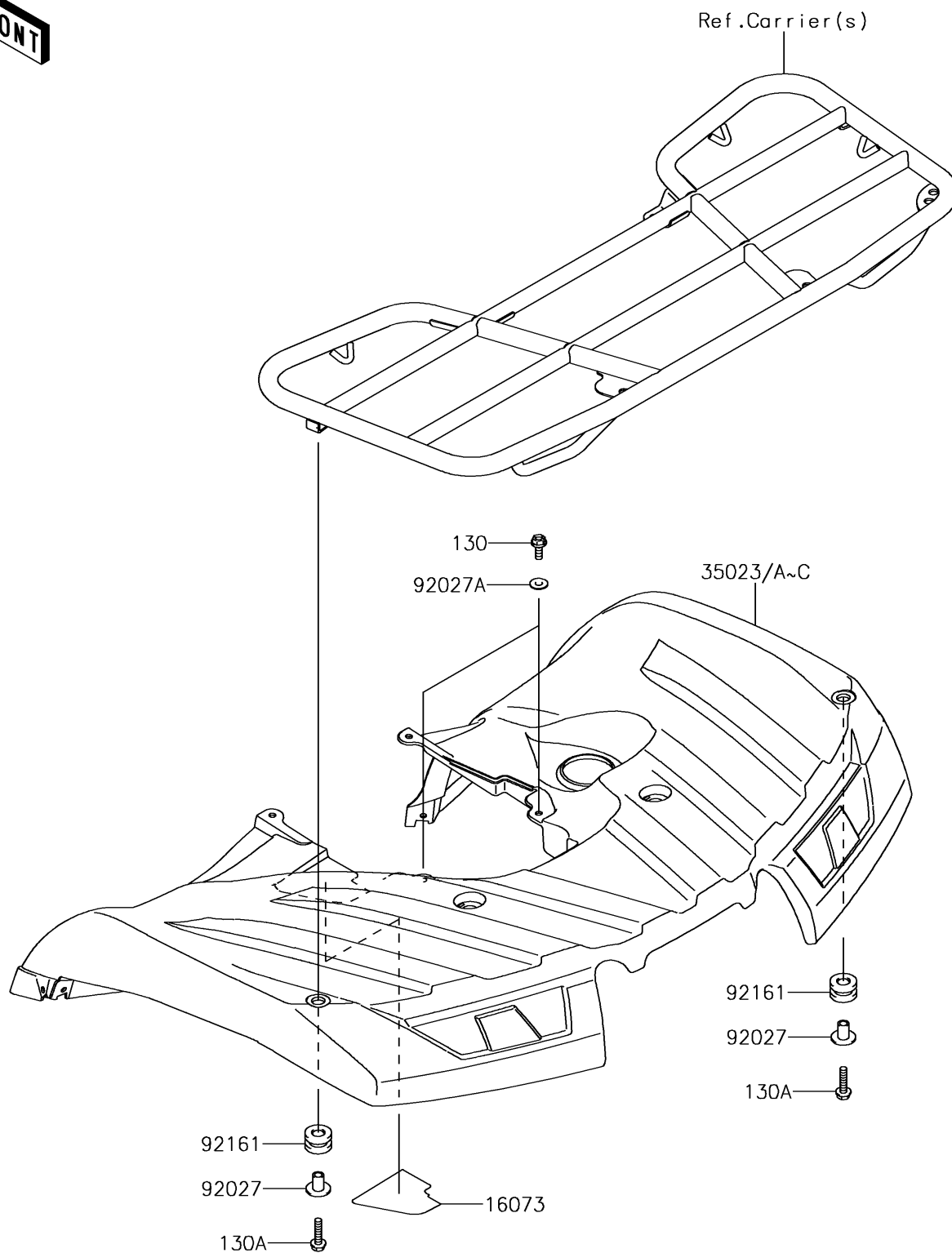


## 2018 BRUTE FORCE® 750 4x4i EPS PARTS DIAGRAM

Rear Fender(s)

F2172



## 2018 BRUTE FORCE® 750 4x4i EPS PARTS LIST

Rear Fender(s)

ITEM NAME	PART NUMBER	QUANTITY
BOLT-FLANGED,6X16 (Ref # 130)	130BA0616	1
BOLT-FLANGED,6X25 (Ref # 130A)	130BA0625	1
INSULATOR (Ref # 16073)	16073-0806	1
FENDER-REAR,V.BLUE (Ref # 35023A)	35023-0197-40D	1
FENDER-REAR,S.BLACK (Ref # 35023C)	35023-0197-839	1
COLLAR,L=16.1 (Ref # 92027)	92027-1847	1
COLLAR (Ref # 92027A)	92027-4020	1
DAMPER (Ref # 92161)	92161-0106	1