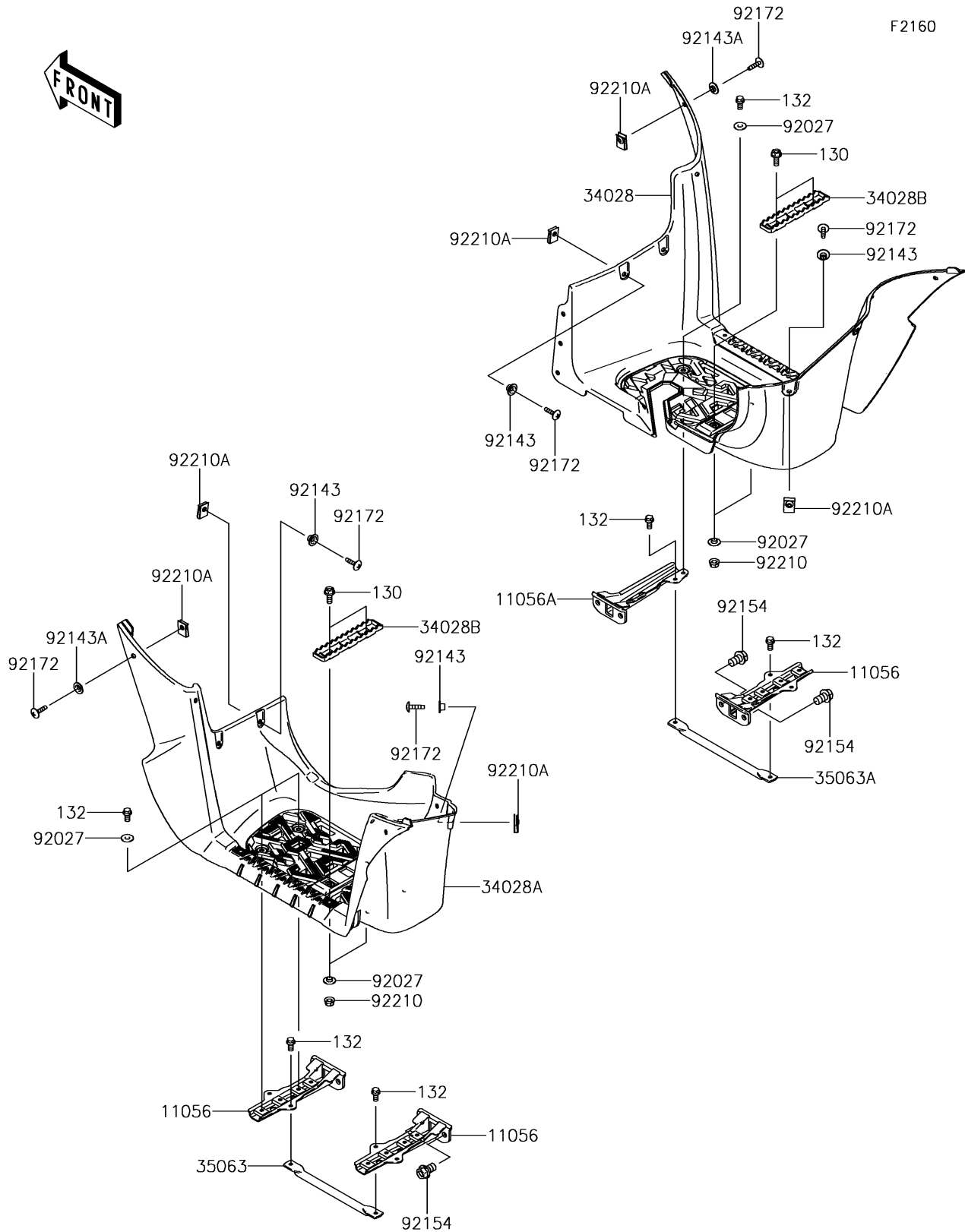


# 2018 BRUTE FORCE® 750 4x4i EPS PARTS DIAGRAM

Footrests



F2160

## 2018 BRUTE FORCE® 750 4x4i EPS PARTS LIST

### Footrests

ITEM NAME	PART NUMBER	QUANTITY
BRACKET,FOOT BOARD (Ref # 11056)	11056-1036	3
BRACKET,FOOT BOARD (Ref # 11056A)	11056-1037	1
BOLT-FLANGED,6X16 (Ref # 130)	130BA0616	4
BOLT-FLANGED-SMALL,6X12 (Ref # 132)	132BA0612	11
STEP,FOOT BOARD,RH,F.BLACK (Ref # 34028)	34028-0055-6Z	1
STEP,FOOT BOARD,LH,F.BLACK (Ref # 34028A)	34028-0146-6Z	1
STEP,FOOT PEG,F.BLACK (Ref # 34028B)	34028-1487-21	2
STAY,STEP,LH (Ref # 35063)	35063-0394	1
STAY,STEP,RH (Ref # 35063A)	35063-0395	1
COLLAR (Ref # 92027)	92027-4020	11
COLLAR (Ref # 92143)	92143-1057	4
COLLAR (Ref # 92143A)	92143-1087	13
BOLT,FLANGED,10X16 (Ref # 92154)	92154-0760	8
SCREW,TAPPING,6X20 (Ref # 92172)	92172-0488	17
NUT,LOCK,FLANGED,6MM (Ref # 92210)	92210-0303	4
NUT,LEAF SPRING,6MM (Ref # 92210A)	92210-0624	17