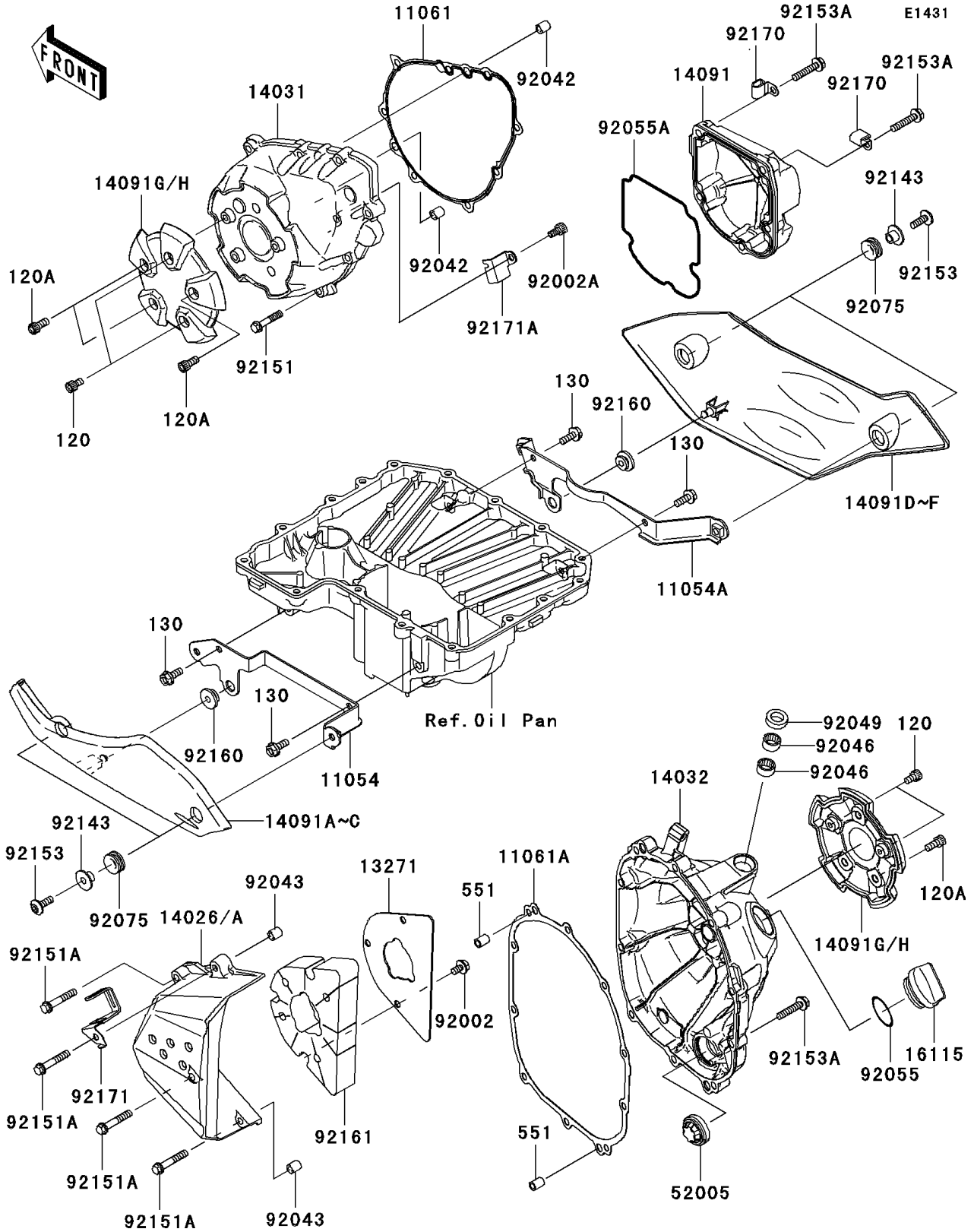


# 2008 Z1000 PARTS DIAGRAM

Engine Cover(s)



## 2008 Z1000 PARTS LIST

### Engine Cover(s)

ITEM NAME	PART NUMBER	QUANTITY
BRACKET,UNDER COVER,LH (Ref # 11054)	11054-0503	1
BRACKET,UNDER COVER,RH (Ref # 11054A)	11054-0504	1
GASKET,GENERATOR COVER (Ref # 11061)	11061-0294	1
GASKET,CLUTCH COVER (Ref # 11061A)	11061-1166	1
PLATE (Ref # 13271)	13271-1997	1
COVER-CHAIN (Ref # 14026A)	14026-0060	1
COVER-GENERATOR (Ref # 14031)	14031-0059	1
COVER-CLUTCH (Ref # 14032)	14032-0104	1
COVER,PULSER (Ref # 14091)	14091-0570	1
CAP-OIL FILLER (Ref # 16115)	16115-1009	1
GAUGE (Ref # 52005)	52005-1120	1
BOLT,6X10 (Ref # 92002)	92002-1449	3
BOLT,SOCKET,6X12 (Ref # 92002A)	92002-1796	1
PIN,DOWEL,6.3X8X14 (Ref # 92042)	92042-007	2
PIN,6.2X8X14 (Ref # 92043)	92043-1263	2
BEARING-NEEDLE,HK1210 (Ref # 92046)	92046-1010	2
SEAL-OIL,CLUTCH RELEASE (Ref # 92049)	92049-1475	1
RING-O,31.7X2.4 (Ref # 92055)	92055-049	1
RING-O,PULSE COVER (Ref # 92055A)	92055-1570	1
DAMPER (Ref # 92075)	92075-1634	4
COLLAR (Ref # 92143)	92143-1962	4
BOLT,6X30 (Ref # 92151)	92151-1134	8
BOLT,6X35 (Ref # 92151A)	92151-1135	4
BOLT,6X18 (Ref # 92153)	92153-0816	4
BOLT-FLANGED,6X30 (Ref # 92153A)	92153-1574	15
DAMPER (Ref # 92160)	92160-1613	2
BOLT-SOCKET,6X10 (Ref # 120)	120CC0610	4
BOLT-SOCKET,6X14 (Ref # 120A)	120CC0614	6
BOLT-FLANGED,6X16 (Ref # 130)	130BB0616	4

## 2008 Z1000 PARTS LIST

### Engine Cover(s)

ITEM NAME	PART NUMBER	QUANTITY
PIN-DOWEL,8X14 (Ref # 551)	551A0814	2
DAMPER (Ref # 92161)	92161-0492	1
CLAMP (Ref # 92170)	92170-1577	2
CLAMP (Ref # 92171)	92171-0067	1
CLAMP (Ref # 92171A)	92171-0708	1
COVER,UNDER,LH,BLACK (Ref # 14091B)	14091-0571-18T	1
COVER,UNDER,LH,L.GREEN (Ref # 14091C)	14091-0571-777	1
COVER,UNDER,RH,BLACK (Ref # 14091E)	14091-0572-18T	1
COVER,UNDER,RH,L.GREEN (Ref # 14091F)	14091-0572-777	1
COVER,CAP,F.P.SILVER (Ref # 14091G)	14091-0575-10T	2
COVER,CAP,F.S.BLACK (Ref # 14091H)	14091-0575-11E	2