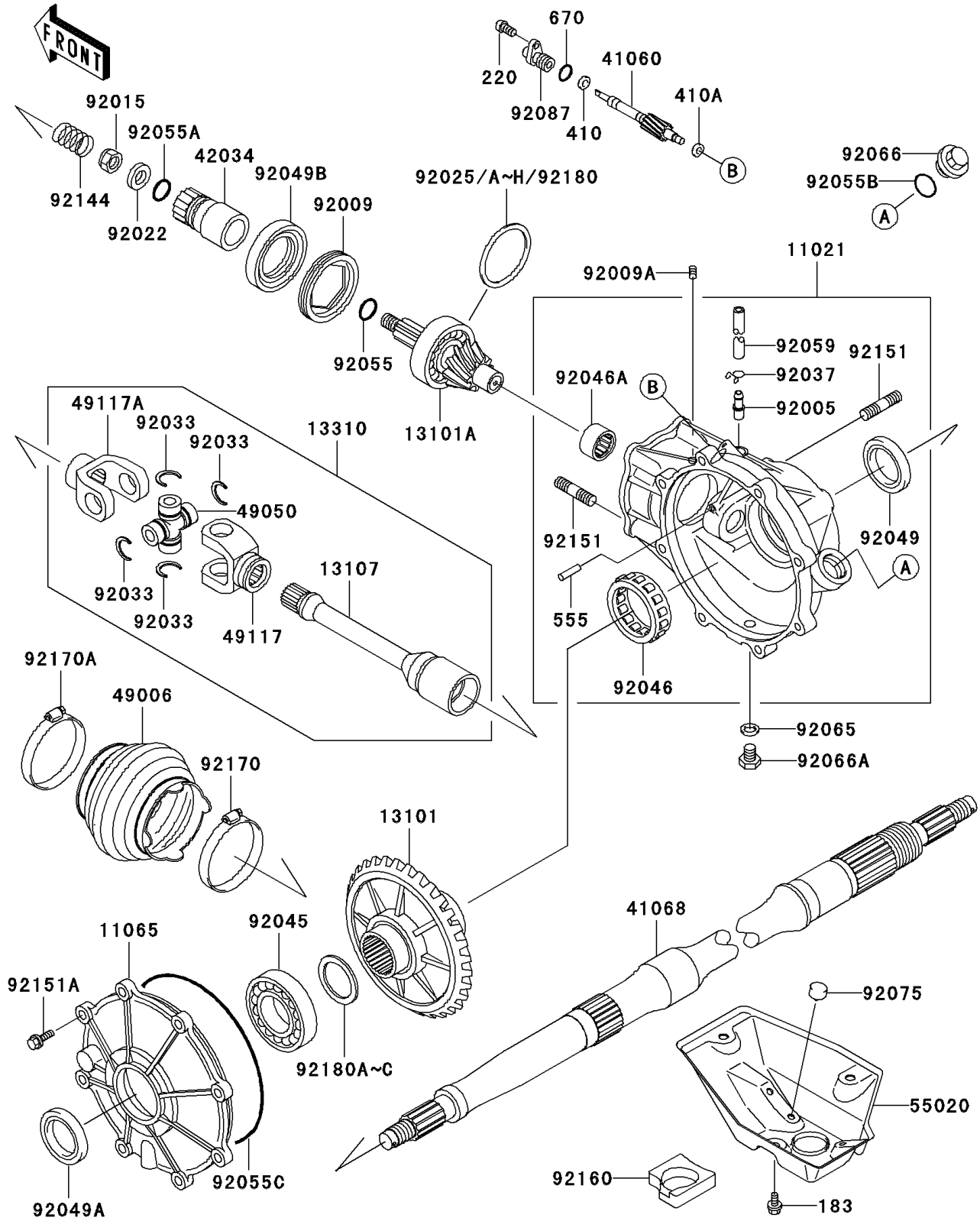


## 2000 Prairie 300 4X4 PARTS DIAGRAM

Drive Shaft(Rear)

E3134B



## 2000 Prairie 300 4X4 PARTS LIST

Drive Shaft(Rear)

ITEM NAME	PART NUMBER	QUANTITY
CASE-ASSY,DRIVE SHAFT (Ref # 11021)	11021-1128	1
CAP (Ref # 11065)	11065-1103	1
GEAR-ASSY,39T (Ref # 13101)	13101-1277	1
GEAR-ASSY,9T (Ref # 13101A)	13101-1283	1
SHAFT,DRIVE (Ref # 13107)	13107-1408	1
SHAFT-ASSY,DRIVE (Ref # 13310)	13310-1024	1
GEAR-METER SCREW (Ref # 41060)	41060-1157	1
AXLE (Ref # 41068)	41068-1388	1
COUPLING (Ref # 42034)	42034-1145	1
BOOT (Ref # 49006)	49006-1307	1
SPIDER (Ref # 49050)	49050-1002	1
YOKE,DRIVE (Ref # 49117)	49117-1085	1
YOKE,DRIVE (Ref # 49117A)	49117-1086	1
GUARD (Ref # 55020)	55020-1551	1
FITTING,BREATHER (Ref # 92005)	92005-1127	1
SCREW (Ref # 92009)	92009-1528	1
SCREW,6X12 (Ref # 92009A)	92009-1896	1
NUT,12MM (Ref # 92015)	92015-1182	1
WASHER,12.3X25X3.2 (Ref # 92022)	92022-1293	1
SHIM,52.5X61.5X0.15 (Ref # 92025)	92025-1669	1
SHIM,52.5X61.5X0.18 (Ref # 92025A)	92025-1670	1
SHIM,52.5X61.5X0.8 (Ref # 92025B)	92025-1671	1
SHIM,52.5X61.5X0.9 (Ref # 92025C)	92025-1672	1
SHIM,52.5X61.5X1.0 (Ref # 92025D)	92025-1673	1
SHIM,52.5X61.5X1.1 (Ref # 92025E)	92025-1674	1
SHIM,52.5X61.5X1.2 (Ref # 92025F)	92025-1675	1
SHIM,52.5X61.5X1.3 (Ref # 92025G)	92025-1676	1
SHIM,52.5X61.5X1.4 (Ref # 92025H)	92025-1677	1
RING-SNAP (Ref # 92033)	92033-1030	1

## 2000 Prairie 300 4X4 PARTS LIST

Drive Shaft(Rear)

ITEM NAME	PART NUMBER	QUANTITY
CLAMP,TUBE (Ref # 92037)	92037-147	1
BEARING-BALL,#6009 (Ref # 92045)	92045-1015	1
BEARING-NEEDLE (Ref # 92046)	92046-1247	1
BEARING-NEEDLE (Ref # 92046A)	92046-1265	1
SEAL-OIL (Ref # 92049)	92049-1248	1
SEAL-OIL (Ref # 92049A)	92049-1287	1
SEAL-OIL (Ref # 92049B)	92049-1460	1
RING-O (Ref # 92055)	92055-012	1
RING-O,27MM (Ref # 92055A)	92055-1119	1
RING-O,25.7X2.4 (Ref # 92055B)	92055-1136	1
RING-O,160X2.6 (Ref # 92055C)	92055-1599	1
BOLT-UPSET-WS-SMALL,8X14 (Ref # 183)	183H0814	1
SCREW-PAN-CROS,6X14 (Ref # 220)	220X0614	1
WASHER-PLAIN-SMALL,5MM (Ref # 410)	410B0500	1
WASHER-PLAIN-SMALL,6MM (Ref # 410A)	410B0600	1
PIN-SPRING (Ref # 555)	555A0422	1
O RING,12MM (Ref # 670)	670B2012	1
TUBE,4.7X9.5X900 (Ref # 92059)	92059-1929	1
GASKET,10.5X16X1 (Ref # 92065)	92065-058	1
PLUG (Ref # 92066)	92066-1303	1
PLUG,DRAIN,10X8 (Ref # 92066A)	92066-1490	1
DAMPER (Ref # 92075)	92075-021	1
BUSHING-METER GEAR (Ref # 92087)	92087-1057	1
SPRING (Ref # 92144)	92144-1278	1
BOLT (Ref # 92151)	92151-1424	1
BOLT,8X25 (Ref # 92151A)	92151-1506	1
DAMPER (Ref # 92160)	92160-1956	1
CLAMP (Ref # 92170)	92170-1676	1
CLAMP (Ref # 92170A)	92170-1764	1

## 2000 Prairie 300 4X4 PARTS LIST

Drive Shaft(Rear)

ITEM NAME	PART NUMBER	QUANTITY
SHIM,52.5X61.5X0.10 (Ref # 92180)	92180-1115	1
SHIM,T=1.0 (Ref # 92180A)	92180-1205	1
SHIM,T=0.1 (Ref # 92180B)	92180-1206	1
SHIM,T=0.5 (Ref # 92180C)	92180-1207	1