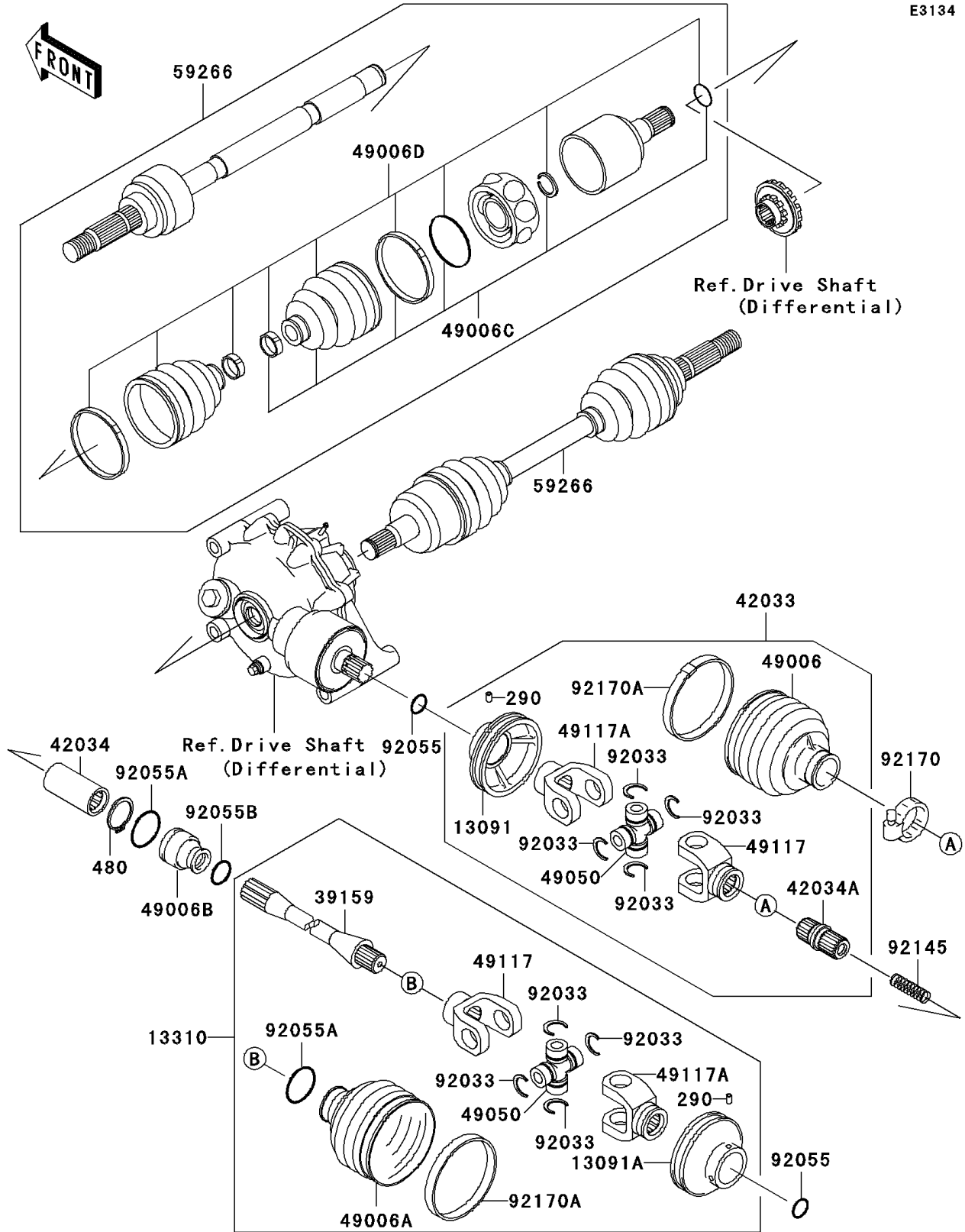


## 2000 Prairie 300 4X4 PARTS DIAGRAM

Drive Shaft(Front)

E3134



## 2000 Prairie 300 4X4 PARTS LIST

Drive Shaft(Front)

| ITEM NAME                              | PART NUMBER | QUANTITY |
|--|-------------|----------|
| SCREW-SET-SOCKET,5X8 (Ref # 290)       | 290Q0508    | 1        |
| CIRCLIP-TYPE-C,22MM (Ref # 480)        | 480J2200    | 1        |
| HOLDER (Ref # 13091)                   | 13091-1863  | 1        |
| HOLDER (Ref # 13091A)                  | 13091-1892  | 1        |
| SHAFT-ASSY (Ref # 13310)               | 13310-1020  | 1        |
| SHAFT-DRIVE (Ref # 39159)              | 39159-1107  | 1        |
| COUPLING-ASSY (Ref # 42033)            | 42033-1188  | 1        |
| COUPLING (Ref # 42034)                 | 42034-1103  | 1        |
| COUPLING (Ref # 42034A)                | 42034-1127  | 1        |
| BOOT,COUPLING (Ref # 49006)            | 49006-1293  | 1        |
| BOOT,DRIVE SHAFT (Ref # 49006A)        | 49006-1294  | 1        |
| BOOT,DRIVE SHAFT (Ref # 49006B)        | 49006-1295  | 1        |
| BOOT,BALL JOINT,INSIDE (Ref # 49006C)  | 49006-1342  | 1        |
| BOOT,BALL JOINT,OUTSIDE (Ref # 49006D) | 49006-1343  | 1        |
| SPIDER (Ref # 49050)                   | 49050-1057  | 1        |
| YOKE,DRIVE (Ref # 49117)               | 49117-1083  | 1        |
| YOKE,DRIVE (Ref # 49117A)              | 49117-1084  | 1        |
| JOINT-BALL (Ref # 59266)               | 59266-1104  | 1        |
| RING-SNAP (Ref # 92033)                | 92033-1283  | 1        |
| RING-O,19.5X1.5 (Ref # 92055)          | 92055-055   | 1        |
| RING-O,19.5X3.0 (Ref # 92055A)         | 92055-1451  | 1        |
| RING-O,15X3.0 (Ref # 92055B)           | 92055-1531  | 1        |
| SPRING (Ref # 92145)                   | 92145-1055  | 1        |
| CLAMP (Ref # 92170)                    | 92170-1678  | 1        |
| CLAMP (Ref # 92170A)                   | 92170-1727  | 1        |