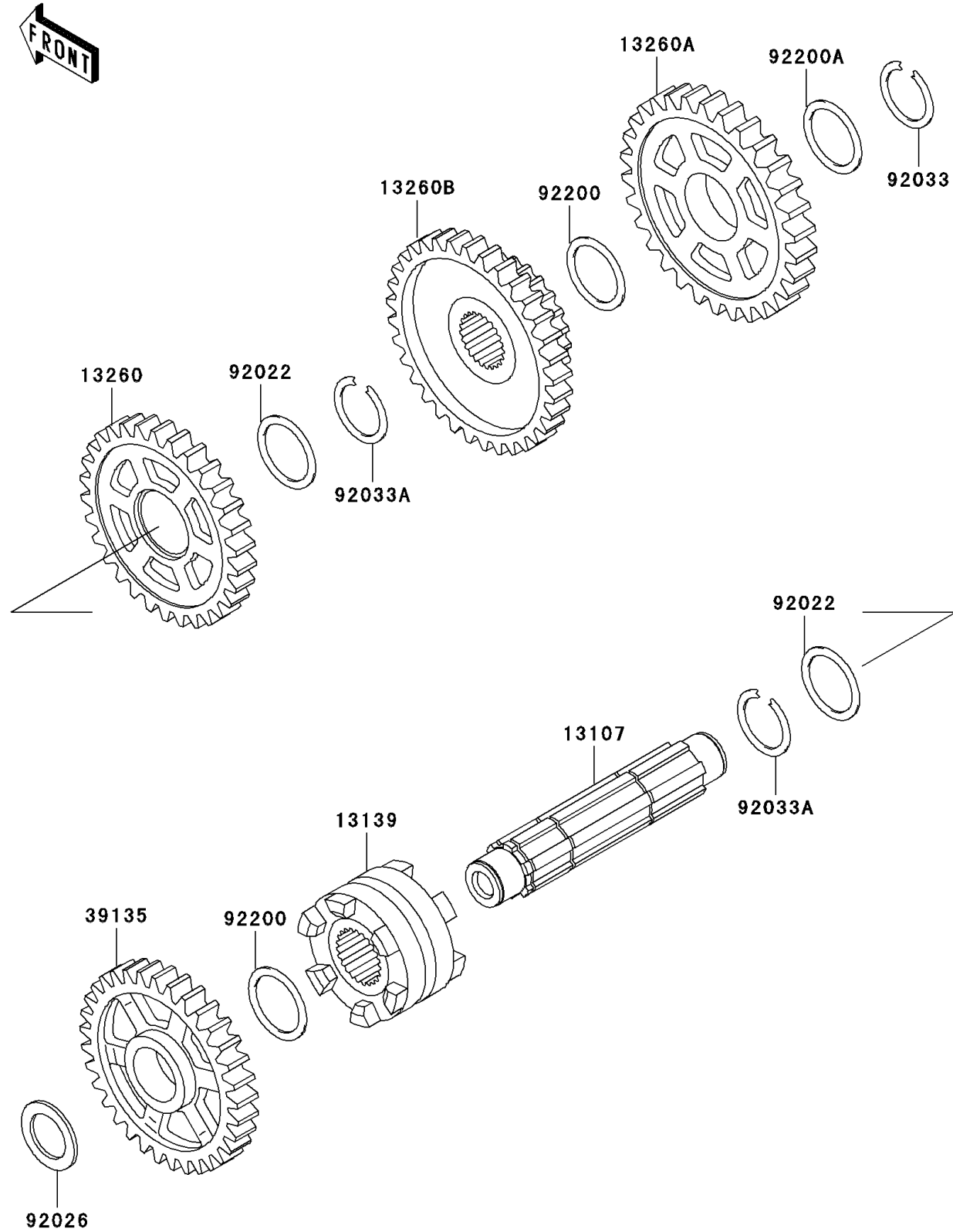


2000 Prairie 300 4X4 PARTS DIAGRAM

Gear Change Drum/Shift Fork(s)

E1362



2000 Prairie 300 4X4 PARTS LIST

Gear Change Drum/Shift Fork(s)

ITEM NAME	PART NUMBER	QUANTITY
SHAFT,IDLER (Ref # 13107)	13107-1414	1
SHIFTER,FORWARD HI&REVERSE (Ref # 13139)	13139-1086	1
GEAR,FORWARD HIGH,43T (Ref # 13260)	13260-1766	1
GEAR,FORWARD LOW,48T (Ref # 13260A)	13260-1767	1
GEAR,IDLE SHAFT,36T (Ref # 13260B)	13260-1769	1
SPROCKET-DRIVEN,REVERSE,37T (Ref # 39135)	39135-1059	1
WASHER,28.1X34X1.0 (Ref # 92022)	92022-1731	1
SPACER,20.3X30X1.8 (Ref # 92026)	92026-1066	1
RING-SNAP,24MM (Ref # 92033)	92033-026	1
RING-SNAP,25.9X30.6X1.2 (Ref # 92033A)	92033-1037	1
WASHER,24.2X32X0.50 (Ref # 92200)	92200-1400	1
WASHER,24.2X32X1.00 (Ref # 92200A)	92200-1412	1