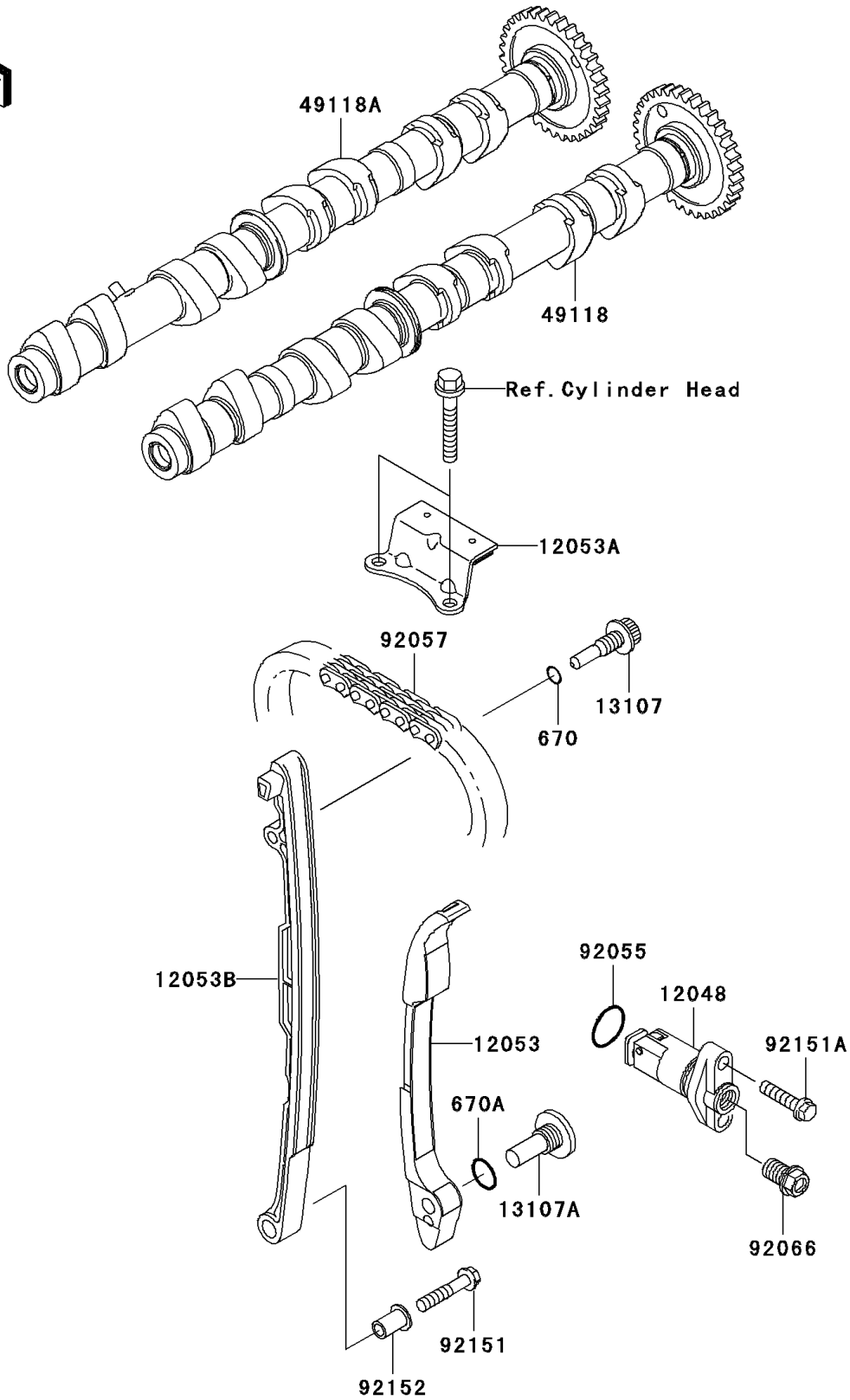


2008 Z1000 PARTS DIAGRAM

Camshaft(s)/Tensioner

E1230



2008 Z1000 PARTS LIST

Camshaft(s)/Tensioner

ITEM NAME	PART NUMBER	QUANTITY
O RING,9MM (Ref # 670)	670D1509	1
O RING,14MM (Ref # 670A)	670D2014	1
TENSIONER-ASSY (Ref # 12048)	12048-0035	1
GUIDE-CHAIN,RR (Ref # 12053)	12053-1399	1
GUIDE-CHAIN,UPP (Ref # 12053A)	12053-1473	1
GUIDE-CHAIN,FR (Ref # 12053B)	12053-1478	1
SHAFT,CHAIN GUIDE (Ref # 13107)	13107-0157	1
SHAFT (Ref # 13107A)	13107-1376	1
CAMSHAFT-COMP,INTAKE (Ref # 49118)	49118-0081	1
CAMSHAFT-COMP,EXHAUST (Ref # 49118A)	49118-0082	1
RING-O,18.8X1.9 (Ref # 92055)	92055-086	1
CHAIN,CAM,92RH2015-126M (Ref # 92057)	92057-1453	1
PLUG (Ref # 92066)	92066-3780	1
BOLT,6X30 (Ref # 92151)	92151-1134	1
BOLT,FLANGED-SMALL,6X25 (Ref # 92151A)	92151-1930	2
COLLAR (Ref # 92152)	92152-1167	1