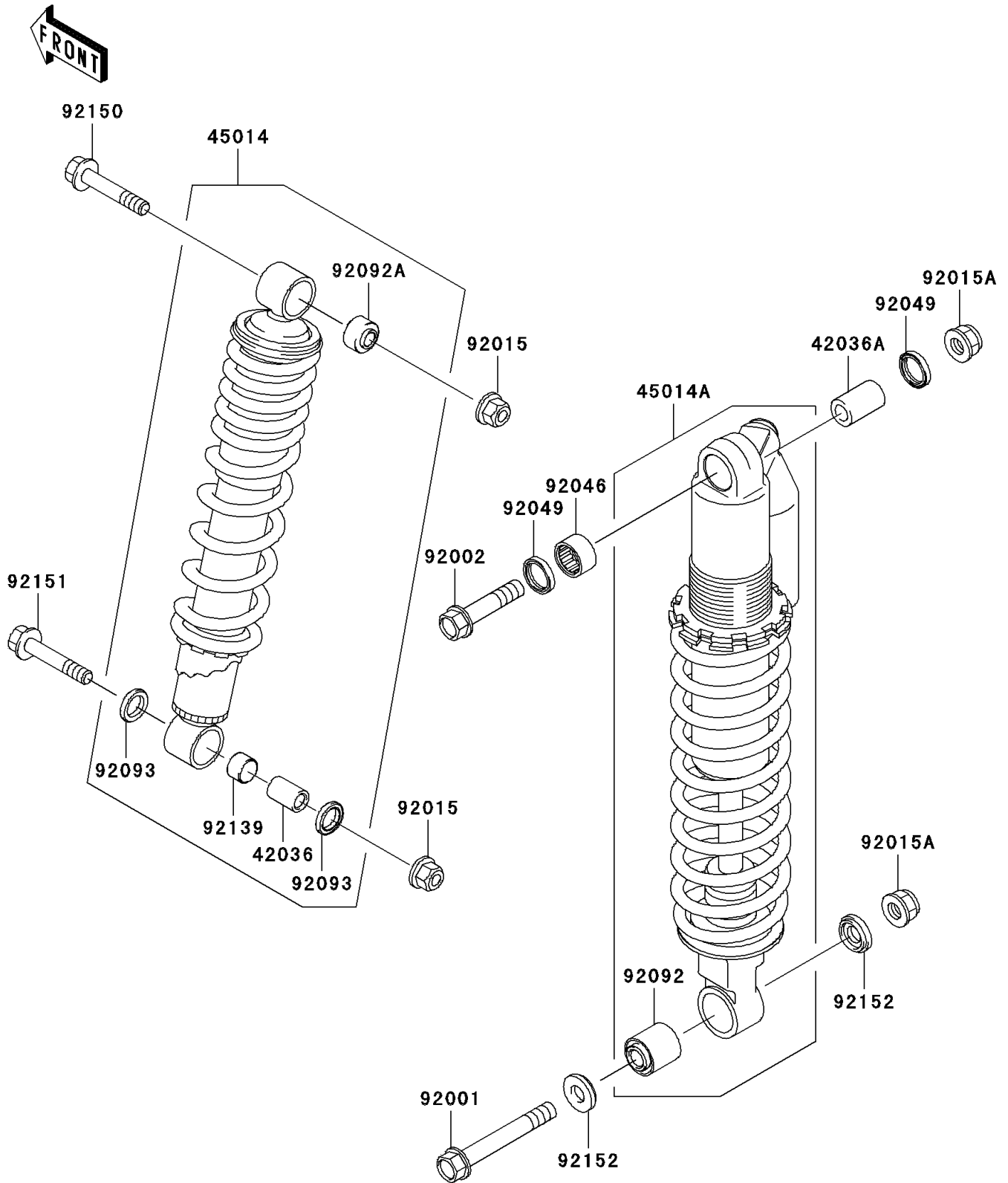


2004 KFX700 V Force PARTS DIAGRAM

Shock Absorber(s)

F2280



2004 KFX700 V Force PARTS LIST

Shock Absorber(s)

ITEM NAME	PART NUMBER	QUANTITY
SLEEVE (Ref # 42036)	42036-0012	1
SLEEVE,12X20X32 (Ref # 42036A)	42036-1378	1
SHOCKABSORBER,FR,P.WHITE (Ref # 45014)	45014-0004-EH	1
SHOCKABSORBER,RR,P.WHITE (Ref # 45014A)	45014-0005-EH	1
BOLT,FLANGED,12X88 (Ref # 92001)	92001-1693	1
BOLT,FLANGED,12X55 (Ref # 92002)	92002-1840	1
NUT,LOCK,10MM (Ref # 92015)	92015-1597	1
NUT,FLANGED,LOCK,12MM (Ref # 92015A)	92015-1617	1
BEARING-NEEDLE (Ref # 92046)	92046-1239	1
SEAL-OIL,GD20X26X4 (Ref # 92049)	92049-1108	1
BUSHING-RUBBER,SHOCKABSORBER (Ref # 92092)	92092-1054	1
BUSHING-RUBBER (Ref # 92092A)	92092-1079	1
SEAL (Ref # 92093)	92093-0010	1
BUSHING (Ref # 92139)	92139-0042	1
BOLT,FLANGED,10X51 (Ref # 92150)	92150-1719	1
BOLT,FLANGED,10X45 (Ref # 92151)	92151-1413	1
COLLAR (Ref # 92152)	92152-1293	1