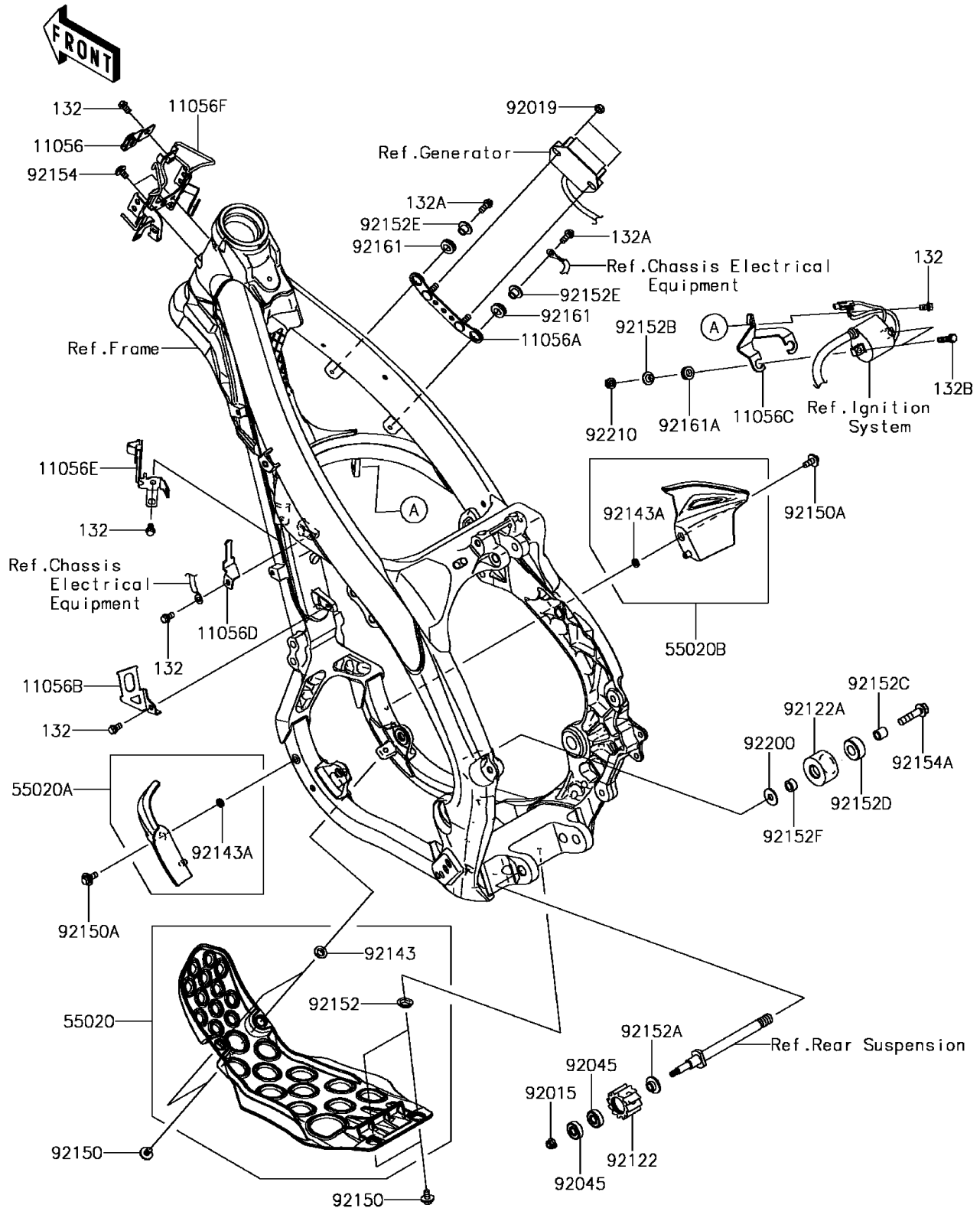


2017 KX™250F PARTS DIAGRAM

Frame Fittings

F2131



2017 KX™250F PARTS LIST

Frame Fittings

| ITEM NAME | PART NUMBER | QUANTITY |
|--|---------------|----------|
| BRACKET,DIAG CONNECTOR (Ref # 11056) | 11056-0070 | 1 |
| BRACKET,REGULATOR (Ref # 11056A) | 11056-0624 | 1 |
| BRACKET,CONDENSOR (Ref # 11056B) | 11056-7458 | 1 |
| BRACKET,IG. COIL (Ref # 11056C) | 11056-7976 | 1 |
| BRACKET,VEHICLE DOWN SENSOR (Ref # 11056D) | 11056-7977 | 1 |
| BRACKET,CONNECTOR (Ref # 11056E) | 11056-7978 | 1 |
| BRACKET,ECU (Ref # 11056F) | 11056-7985 | 1 |
| BOLT-FLANGED-SMALL,6X10 (Ref # 132) | 132BA0610 | 1 |
| BOLT-FLANGED-SMALL,6X14 (Ref # 132A) | 132BA0614 | 1 |
| BOLT-FLANGED-SMALL,6X25 (Ref # 132B) | 132BA0625 | 1 |
| GUARD,ENGINE,LWR,EBONY (Ref # 55020) | 55020-0443-6C | 1 |
| GUARD,ENGINE,LH (Ref # 55020A) | 55020-1941 | 1 |
| GUARD,ENGINE,RH (Ref # 55020B) | 55020-1942 | 1 |
| NUT,LOCK,FLANGED,6MM (Ref # 92015) | 92015-1339 | 1 |
| NUT,LOCK,6MM (Ref # 92019) | 92019-008 | 1 |
| BEARING-BALL,608LLU/2A (Ref # 92045) | 92045-0060 | 1 |
| ROLLER,CHAIN GUIDE (Ref # 92122) | 92122-0016 | 1 |
| ROLLER,CHAIN (Ref # 92122A) | 92122-0042 | 1 |
| COLLAR (Ref # 92143) | 92143-1196 | 1 |
| COLLAR (Ref # 92143A) | 92143-1307 | 1 |
| BOLT,6X12 (Ref # 92150) | 92150-1435 | 1 |
| BOLT,FLANGED,6X16 (Ref # 92150A) | 92150-1506 | 1 |
| COLLAR (Ref # 92152) | 92152-0052 | 1 |
| COLLAR (Ref # 92152A) | 92152-0459 | 1 |
| COLLAR (Ref # 92152B) | 92152-0620 | 1 |
| COLLAR,8.5X12.5X12.5 (Ref # 92152C) | 92152-0944 | 1 |
| COLLAR,12.7X27.2X12 (Ref # 92152D) | 92152-0945 | 1 |
| COLLAR (Ref # 92152E) | 92152-1449 | 1 |
| COLLAR,8.5X14X7.5 (Ref # 92152F) | 92152-2092 | 1 |

2017 KX™250F PARTS LIST

Frame Fittings

| ITEM NAME | PART NUMBER | QUANTITY |
|------------------------------------|-------------|----------|
| BOLT,SOCKET,6X10 (Ref # 92154) | 92154-0774 | 1 |
| BOLT,FLANGED,8X35 (Ref # 92154A) | 92154-1746 | 1 |
| DAMPER (Ref # 92161) | 92161-0266 | 1 |
| DAMPER,8.5X15.5X5.5 (Ref # 92161A) | 92161-0878 | 1 |
| WASHER,8.0X22.0X1.5 (Ref # 92200) | 92200-0174 | 1 |
| NUT,FLANGED,6MM (Ref # 92210) | 92210-0630 | 1 |