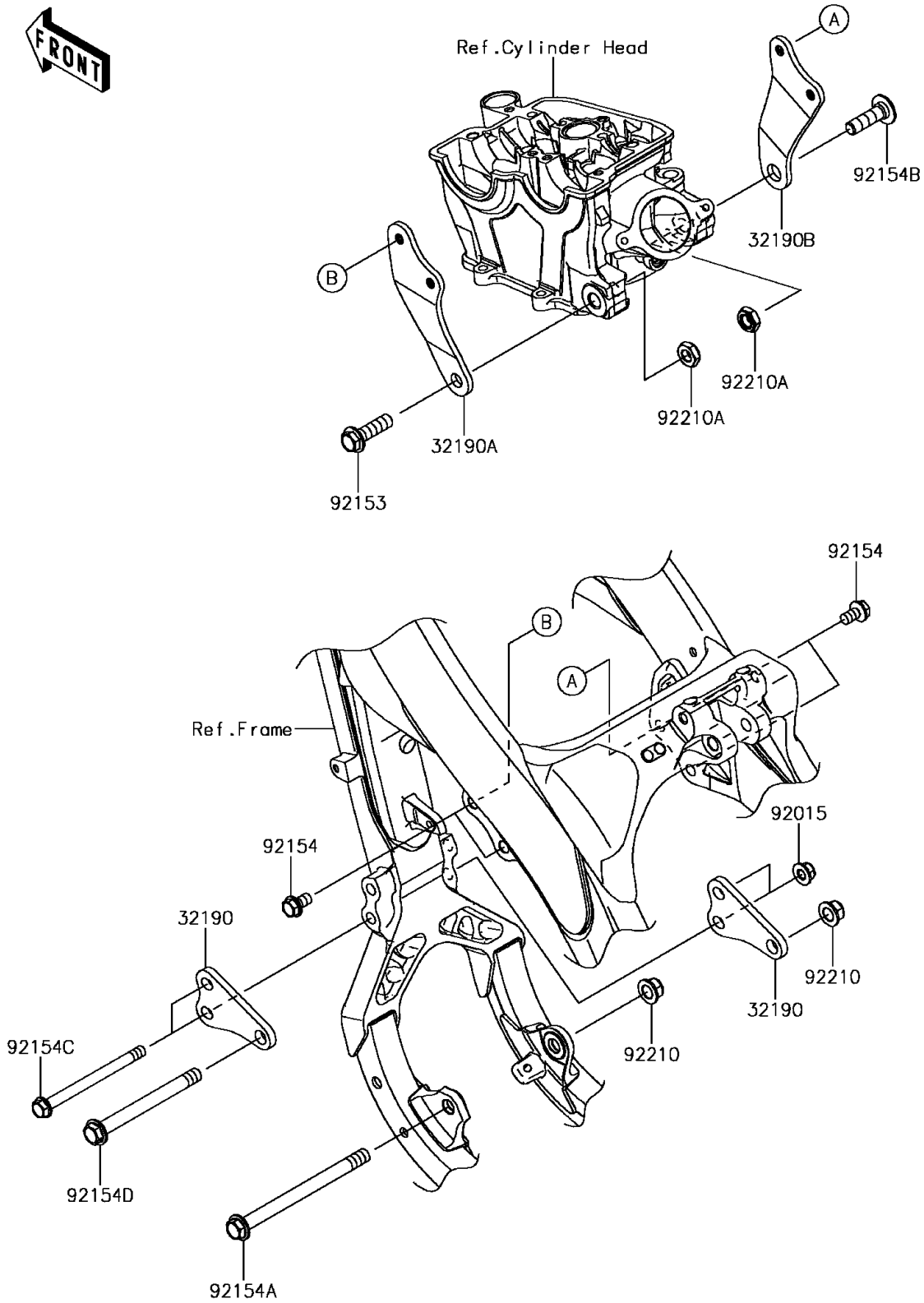


2017 KX™250F PARTS DIAGRAM

Engine Mount

F2122



2017 KX™250F PARTS LIST

Engine Mount

ITEM NAME	PART NUMBER	QUANTITY
BRACKET-ENGINE,FR (Ref # 32190)	32190-0714	1
BRACKET-ENGINE,UPP,LH (Ref # 32190A)	32190-0715	1
BRACKET-ENGINE,UPP,RH (Ref # 32190B)	32190-0717	1
NUT,8MM (Ref # 92015)	92015-1432	1
BOLT,FLANGED,10X35 (Ref # 92153)	92153-0802	1
BOLT,FLANGED,8X14 (Ref # 92154)	92154-0380	1
BOLT,FLANGED,10X130 (Ref # 92154A)	92154-0517	1
BOLT,SOCKET,10X35 (Ref # 92154B)	92154-2102	1
BOLT,FLANGED,8X102 (Ref # 92154C)	92154-2155	1
BOLT,FLANGED,10X104 (Ref # 92154D)	92154-2156	1
NUT,LOCK,FLANGED,10MM (Ref # 92210)	92210-1080	1
NUT,LOCK,10MM (Ref # 92210A)	92210-1184	1