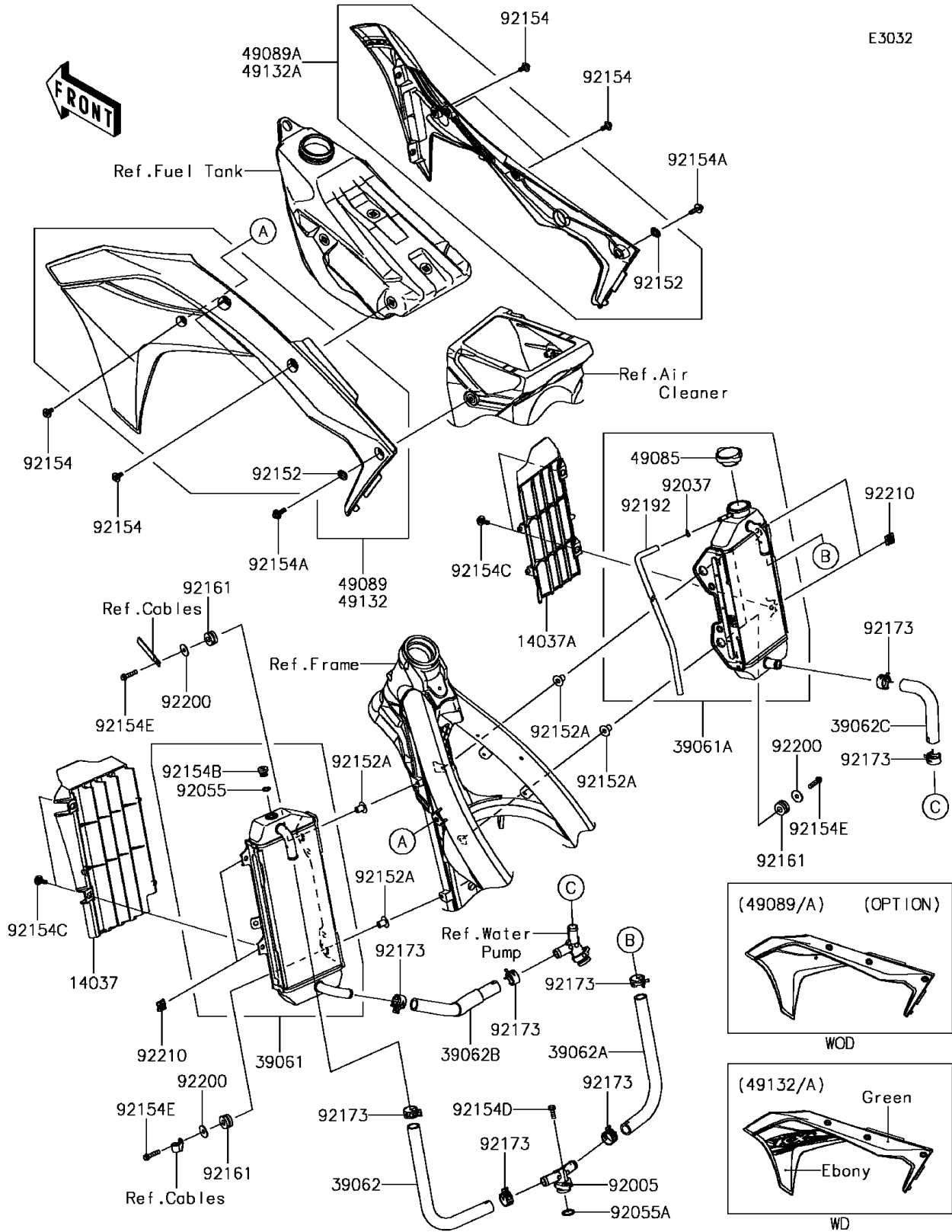


2017 KX™250F PARTS DIAGRAM

Radiator

E3032



2017 KX™250F PARTS LIST

Radiator

ITEM NAME	PART NUMBER	QUANTITY
SCREEN,LH,EBONY (Ref # 14037)	14037-0775-6C	1
SCREEN,RH,EBONY (Ref # 14037A)	14037-0776-6C	1
RADIATOR-ASSY,LH (Ref # 39061)	39061-0721	1
RADIATOR-ASSY,RH (Ref # 39061A)	39061-0722	1
HOSE-COOLING,CYL.HEAD-RAD.(LH) (Ref # 39062)	39062-0741	1
HOSE-COOLING,CYL.HEAD-RAD.(RH) (Ref # 39062A)	39062-0742	1
HOSE-COOLING,RAD.(LH)-W/PUMP (Ref # 39062B)	39062-0743	1
HOSE-COOLING,RAD.(RH)-W/PUMP (Ref # 39062C)	39062-0744	1
CAP-ASSY-PRESSURE (Ref # 49085)	49085-0006	1
SHROUD-ENGINE,LH,L.GREEN+EBY (Ref # 49089)	49089-0924-25M	1
SHROUD-ENGINE,RH,L.GREEN+EBY (Ref # 49089A)	49089-0925-25M	1
SHROUD-ENGINE,LH,L.GREEN+EBY (Ref # 49132)	49132-5288-25M	1
SHROUD-ENGINE,RH,L.GREEN+EBY (Ref # 49132A)	49132-5289-25M	1
FITTING,CYLINDER HEAD (Ref # 92005)	92005-0838	1
CLAMP (Ref # 92037)	92037-1610	1
RING-O (Ref # 92055)	92055-0866	1
RING-O,18.8X2.4 (Ref # 92055A)	92055-1308	1
COLLAR (Ref # 92152)	92152-0052	1
COLLAR (Ref # 92152A)	92152-2275	1
BOLT,FLANGED,6X9 (Ref # 92154)	92154-0546	1
BOLT,FLANGED,6X20 (Ref # 92154A)	92154-1268	1
BOLT,AIR VENT (Ref # 92154B)	92154-1738	1
BOLT,FLANGED,6X28 (Ref # 92154C)	92154-1739	1
BOLT,FLANGED,6X18 (Ref # 92154D)	92154-1927	1
BOLT,FLANGED,6X25 (Ref # 92154E)	92154-1928	1
DAMPER (Ref # 92161)	92161-1781	1
CLAMP,19.9MM (Ref # 92173)	92173-1561	1
TUBE,L=830 (Ref # 92192)	92192-1490	1
WASHER,6.5X22X1.2 (Ref # 92200)	92200-2108	1

2017 KX™250F PARTS LIST

Radiator

ITEM NAME	PART NUMBER	QUANTITY
NUT (Ref # 92210)	92210-0867	1