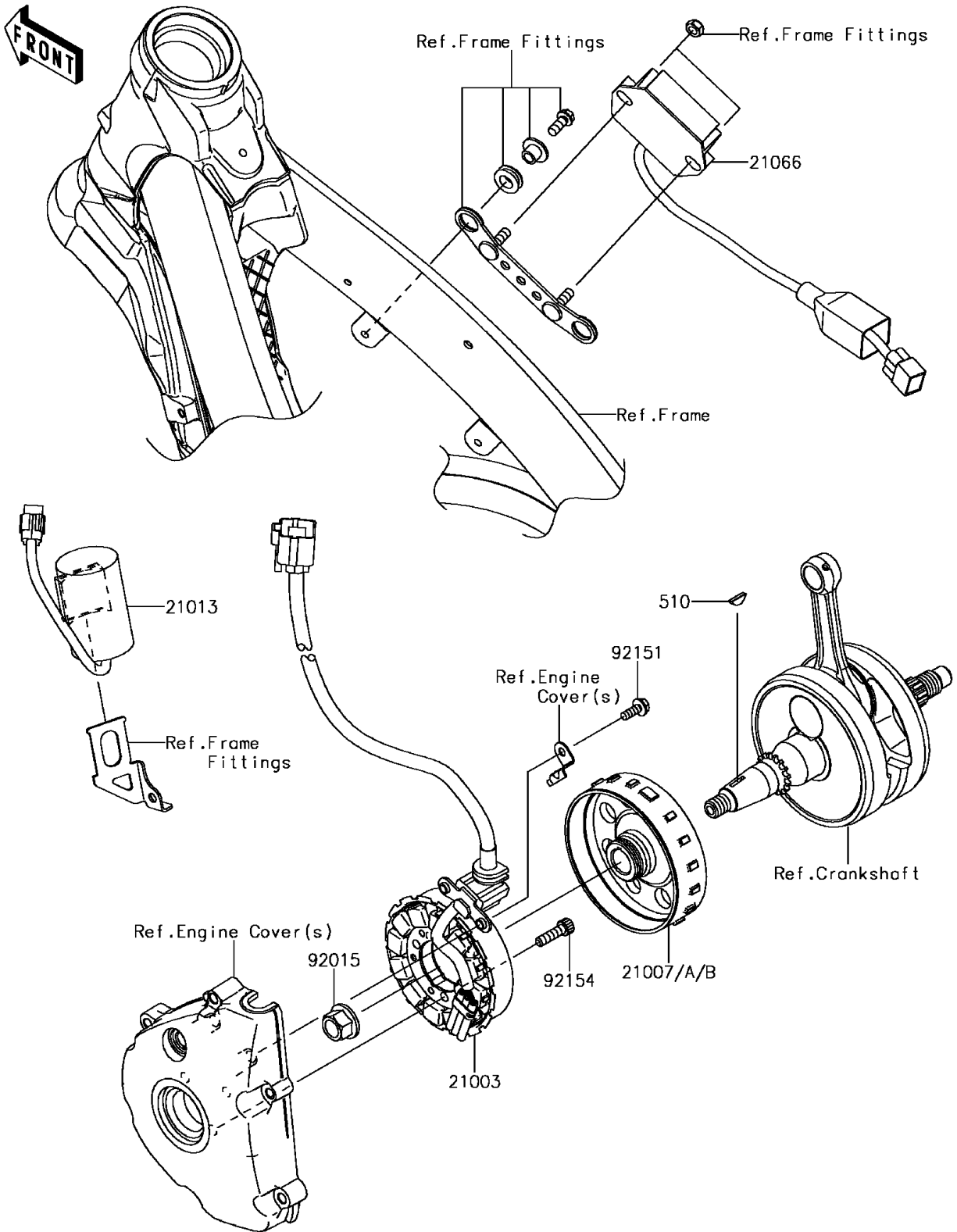


2017 KX™250F PARTS DIAGRAM

Generator

E1810



2017 KX™250F PARTS LIST

Generator

ITEM NAME	PART NUMBER	QUANTITY
STATOR (Ref # 21003)	21003-0147	1
ROTOR,I=8.5 (Ref # 21007)	21007-0164	1
ROTOR,I=9.0 (Ref # 21007A)	21007-0593	1
ROTOR,I=9.5 (Ref # 21007B)	21007-0619	1
CONDENSER (Ref # 21013)	21013-0002	1
REGULATOR-VOLTAGE (Ref # 21066)	21066-0743	1
KEY-WOODRUFF (Ref # 510)	510A3200	1
NUT,12MM (Ref # 92015)	92015-1426	1
BOLT,5X14 (Ref # 92151)	92151-1764	1
BOLT,SOCKET,6X22 (Ref # 92154)	92154-1898	1