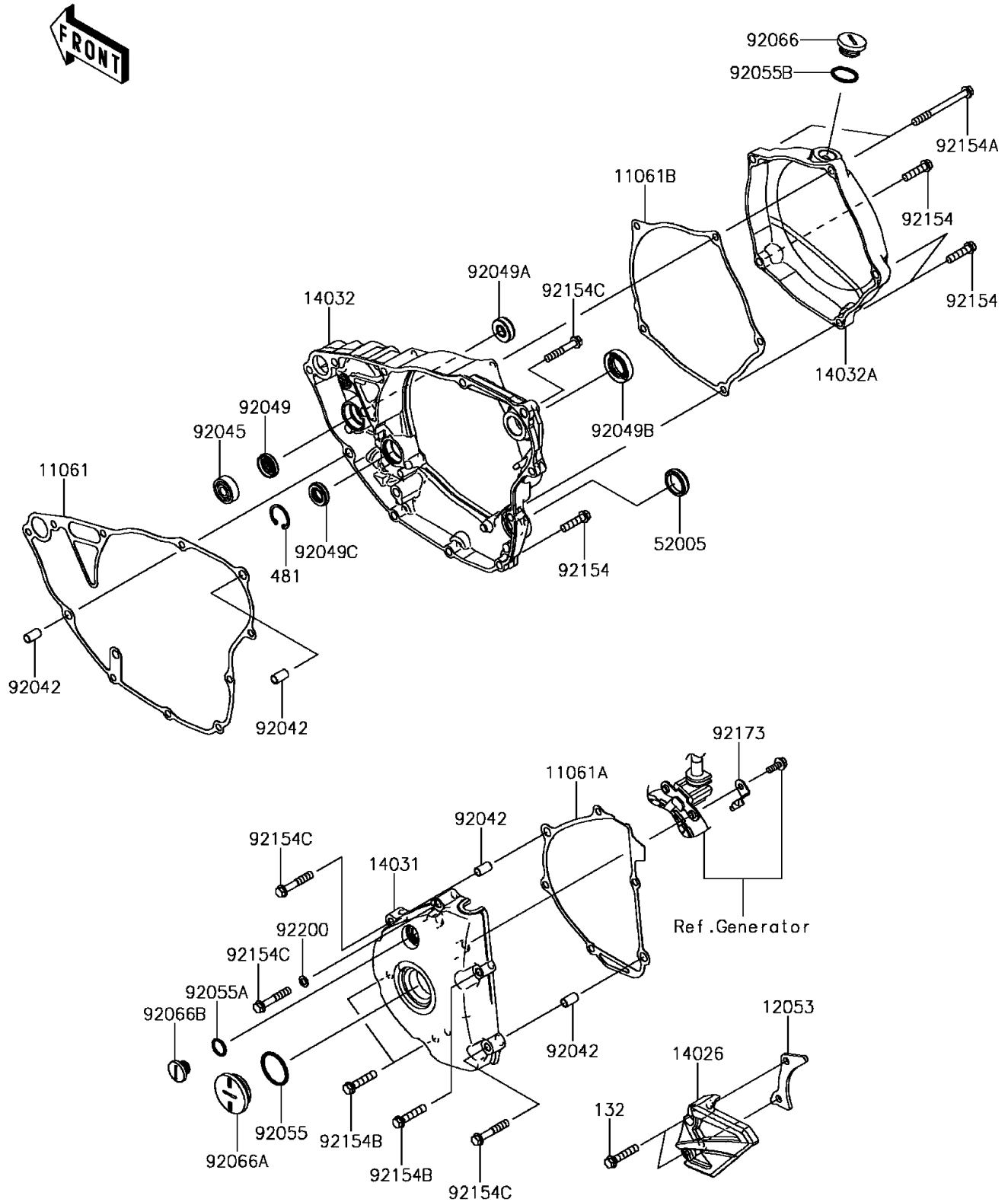


2017 KX™250F PARTS DIAGRAM

Engine Cover(s)

E1431



2017 KX™250F PARTS LIST

Engine Cover(s)

ITEM NAME	PART NUMBER	QUANTITY
GASKET,INNER (Ref # 11061)	11061-1199	1
GASKET,GENERATOR (Ref # 11061A)	11061-1200	1
GASKET,OUTER (Ref # 11061B)	11061-1201	1
GUIDE-CHAIN (Ref # 12053)	12053-0227	1
BOLT-FLANGED-SMALL,6X30 (Ref # 132)	132BA0630	1
COVER-CHAIN (Ref # 14026)	14026-0120	1
COVER-GENERATOR (Ref # 14031)	14031-0605	1
COVER-CLUTCH,INNER (Ref # 14032)	14032-0624	1
COVER-CLUTCH,OUTER (Ref # 14032A)	14032-0626	1
CIRCLIP-TYPE-C,22MM (Ref # 481)	481J2200	1
GAUGE,OIL LEVEL (Ref # 52005)	52005-1009	1
PIN,DOWEL,6.3X8X14 (Ref # 92042)	92042-007	1
BEARING-BALL,#628 (Ref # 92045)	92045-1123	1
SEAL-OIL,SD 8 22 5 ZS (Ref # 92049)	92049-0060	1
SEAL-OIL (Ref # 92049A)	92049-0061	1
SEAL-OIL,SB18307 (Ref # 92049B)	92049-013	1
SEAL-OIL,TVCX13X22X5.5 (Ref # 92049C)	92049-0762	1
RING-O,27.7X2.4 (Ref # 92055)	92055-091	1
RING-O,13.0X1.9 (Ref # 92055A)	92055-1011	1
RING-O,20X2 (Ref # 92055B)	92055-1146	1
PLUG,18X9 (Ref # 92066)	92066-0833	1
PLUG,30X8 (Ref # 92066A)	92066-0834	1
PLUG,12X9.1 (Ref # 92066B)	92066-0835	1
BOLT,FLANGED,6X25 (Ref # 92154)	92154-0520	1
BOLT,FLANGED,6X65 (Ref # 92154A)	92154-1929	1
BOLT,FLANGED,6X30 (Ref # 92154B)	92154-1942	1
BOLT,FLANGED,6X35 (Ref # 92154C)	92154-2100	1
CLAMP,HARNESS (Ref # 92173)	92173-0058	1
WASHER,6.1X10.0X1.0 (Ref # 92200)	92200-0190	1