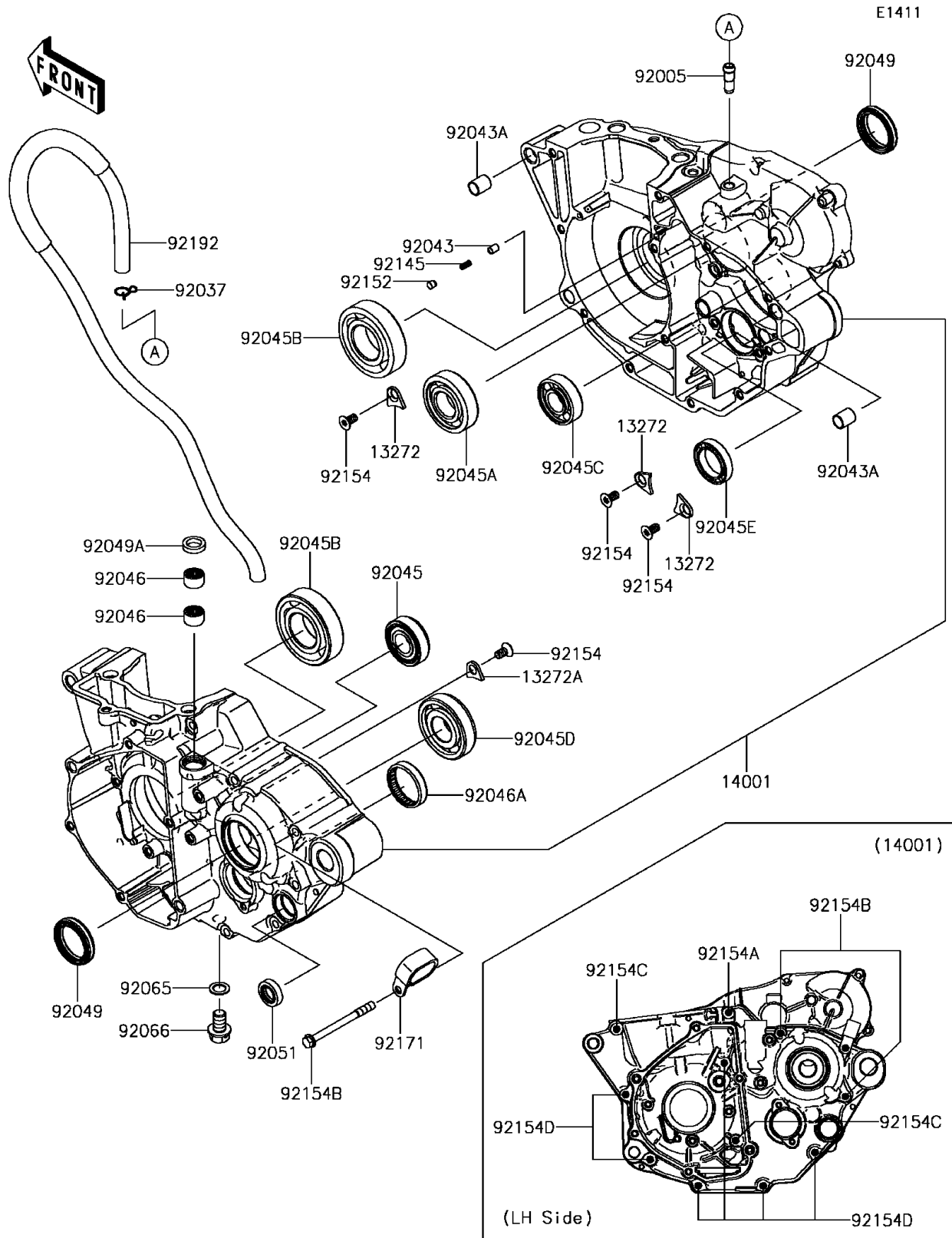


2017 KX™250F PARTS DIAGRAM

Crankcase



2017 KX™250F PARTS LIST

Crankcase

| ITEM NAME | PART NUMBER | QUANTITY |
|---|-------------|----------|
| PLATE (Ref # 13272) | 13272-0488 | 1 |
| PLATE (Ref # 13272A) | 13272-0670 | 1 |
| SET-CRANKCASE (Ref # 14001) | 14001-0661 | 1 |
| FITTING (Ref # 92005) | 92005-1369 | 1 |
| CLAMP,TUBE (Ref # 92037) | 92037-1972 | 1 |
| PIN,PLUNGER (Ref # 92043) | 92043-1676 | 1 |
| PIN,10.1X12X14 (Ref # 92043A) | 92043-4009 | 1 |
| BEARING-BALL,3TM-SX0391ZC3 (Ref # 92045) | 92045-0013 | 1 |
| BEARING-BALL,22X50X14 (Ref # 92045A) | 92045-0051 | 1 |
| BEARING-BALL,CRANKSHAFT MAIN (Ref # 92045B) | 92045-0827 | 1 |
| BEARING-BALL,TMB203LU (Ref # 92045C) | 92045-1287 | 1 |
| BEARING-BALL,SX04A81C3 (Ref # 92045D) | 92045-1335 | 1 |
| BEARING-BALL,6805JRZ (Ref # 92045E) | 92045-1432 | 1 |
| BEARING-NEEDLE,HK1210FM (Ref # 92046) | 92046-0034 | 1 |
| BEARING-NEEDLE,7E-HKS33X38X8 (Ref # 92046A) | 92046-1221 | 1 |
| SEAL-OIL,TC 30 40 7 (Ref # 92049) | 92049-0030 | 1 |
| SEAL-OIL,AG0353-F0 (Ref # 92049A) | 92049-1262 | 1 |
| SEAL-OIL,TB13225.5 (Ref # 92051) | 92051-005 | 1 |
| GASKET,10.5X16X1 (Ref # 92065) | 92065-058 | 1 |
| PLUG,DRAIN (Ref # 92066) | 92066-1437 | 1 |
| SPRING (Ref # 92145) | 92145-0453 | 1 |
| COLLAR (Ref # 92152) | 92152-2209 | 1 |
| BOLT,TORX (Ref # 92154) | 92154-1621 | 1 |
| BOLT,FLANGED,6X65 (Ref # 92154A) | 92154-1929 | 1 |
| BOLT,FLANGED,6X70 (Ref # 92154B) | 92154-1930 | 1 |
| BOLT,FLANGED,6X50 (Ref # 92154C) | 92154-2097 | 1 |
| BOLT,FLANGED,6X60 (Ref # 92154D) | 92154-2098 | 1 |
| CLAMP (Ref # 92171) | 92171-0594 | 1 |
| TUBE,BREATHER (Ref # 92192) | 92192-1658 | 1 |