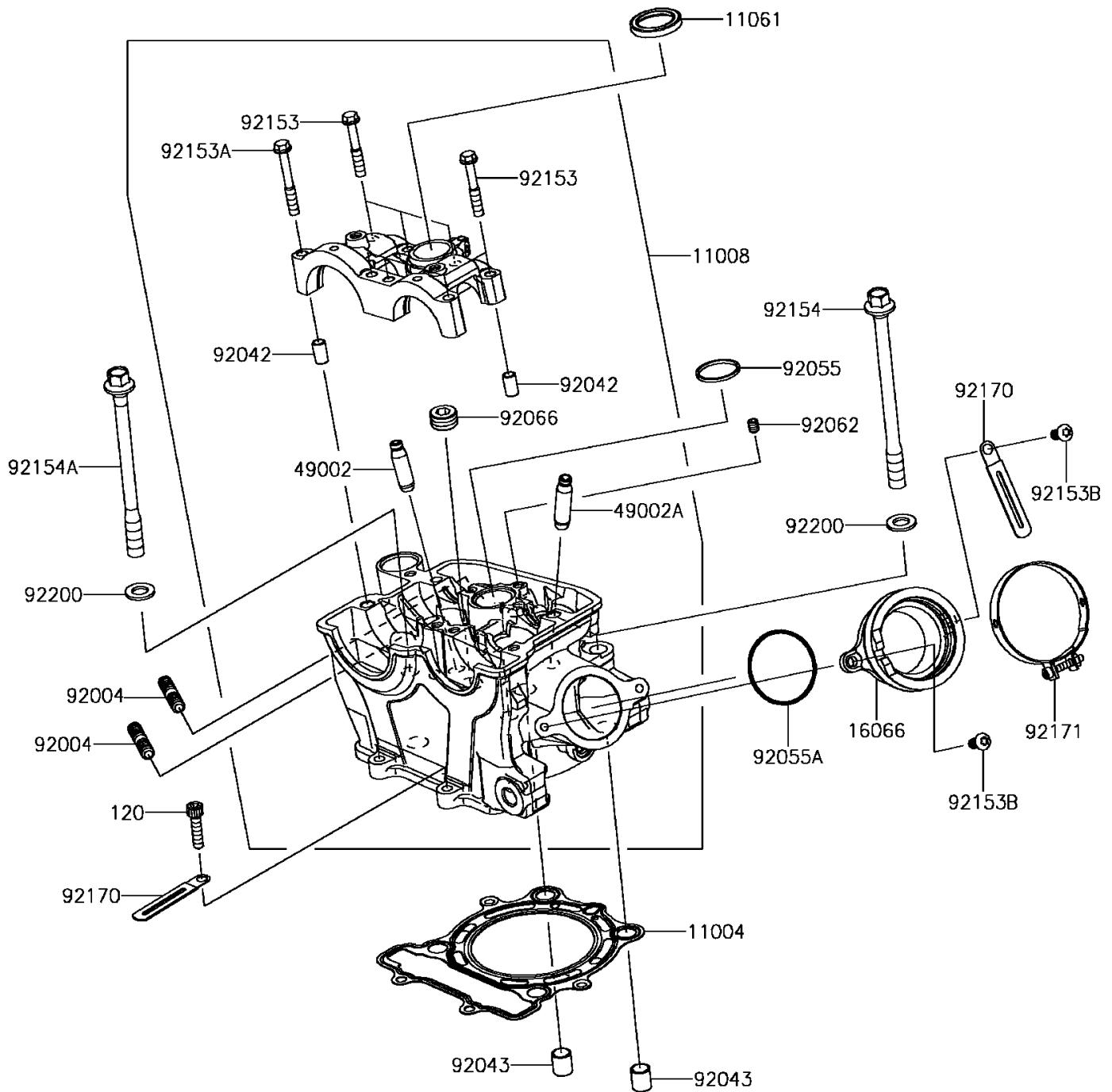


2017 KX™250F PARTS DIAGRAM

Cylinder Head

E1111



2017 KX™250F PARTS LIST

Cylinder Head

ITEM NAME	PART NUMBER	QUANTITY
GASKET-HEAD (Ref # 11004)	11004-0761	1
HEAD-COMP-CYLINDER (Ref # 11008)	11008-0894	1
GASKET,PLUG HOLE (Ref # 11061)	11061-1197	1
BOLT-SOCKET,6X25 (Ref # 120)	120CA0625	1
HOLDER-THROTTLE BODY (Ref # 16066)	16066-0006	1
GUIDE-VALVE (Ref # 49002)	49002-0003	1
GUIDE-VALVE (Ref # 49002A)	49002-0035	1
STUD,8X22 (Ref # 92004)	92004-0025	1
PIN,DOWEL,6.3X8X14 (Ref # 92042)	92042-007	1
PIN,10.1X12X14 (Ref # 92043)	92043-4009	1
RING-O,25X1.9X1.35 (Ref # 92055)	92055-0729	1
RING-O,43.7X1.9 (Ref # 92055A)	92055-1401	1
NOZZLE,6X8,BLACK (Ref # 92062)	92062-1079	1
PLUG,10X16.6 (Ref # 92066)	92066-3777	1
BOLT,6X38 (Ref # 92153)	92153-0338	1
BOLT,6X45 (Ref # 92153A)	92153-0339	1
BOLT,TORX,6X14 (Ref # 92153B)	92153-0406	1
BOLT,FLANGED,10X130 (Ref # 92154)	92154-2104	1
BOLT,FLANGED,10X122 (Ref # 92154A)	92154-2321	1
CLAMP (Ref # 92170)	92170-1514	1
CLAMP (Ref # 92171)	92171-1552	1
WASHER,10.2X18.4X1.8 (Ref # 92200)	92200-1691	1