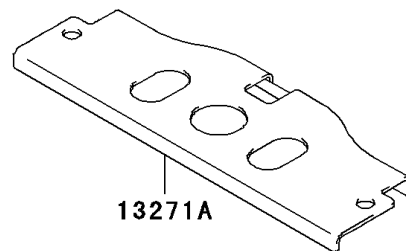
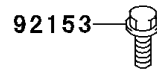
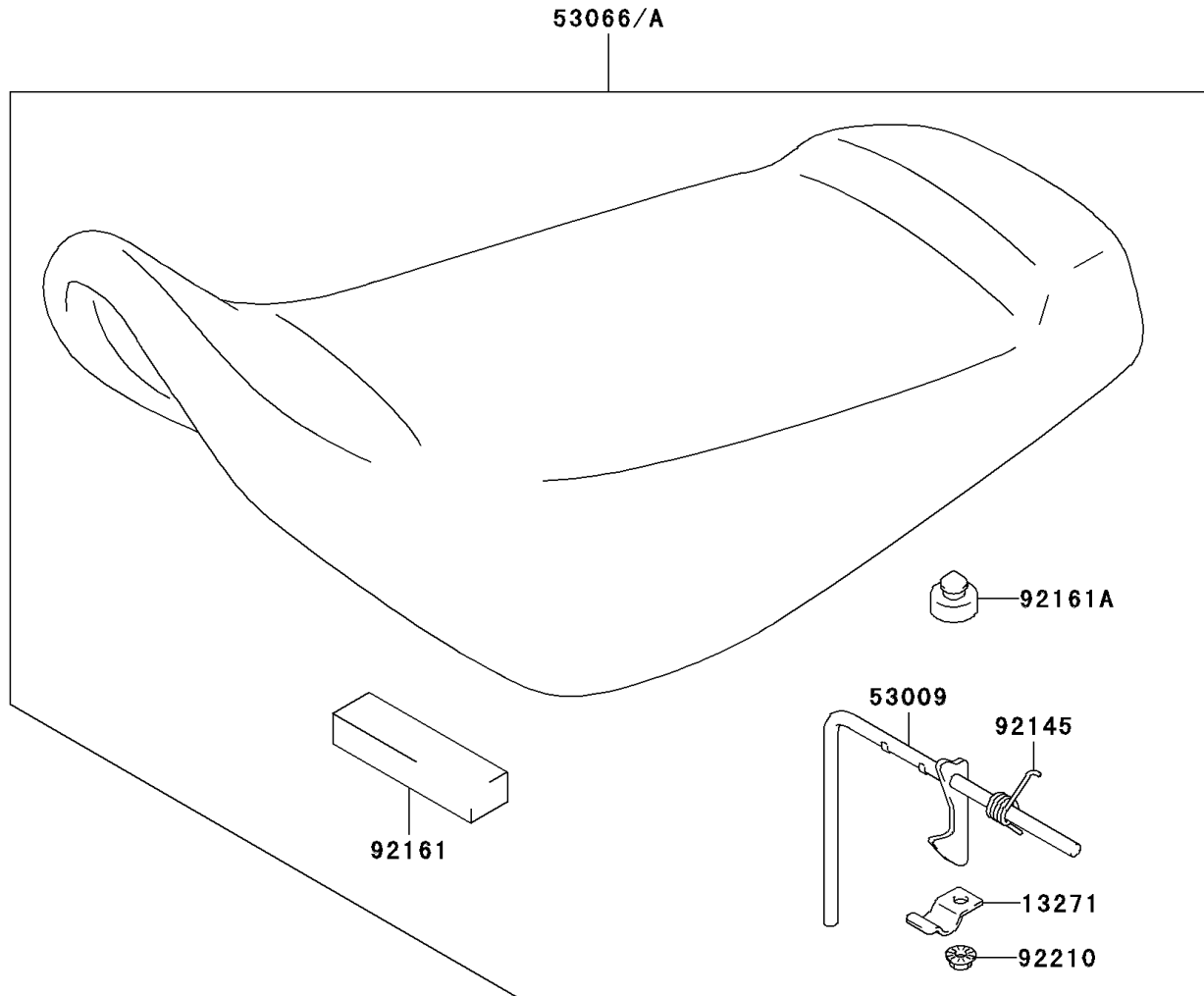


2006 KFX50 PARTS DIAGRAM

Seat

F2510



2006 KFX50 PARTS LIST

Seat

ITEM NAME	PART NUMBER	QUANTITY
PLATE,SEAT LOCK,RH (Ref # 13271)	13271-S032	1
PLATE,SEAT (Ref # 13271A)	13271-S033	1
HINGE (Ref # 53009)	53009-S001	1
SPRING,SEAT LOCK (Ref # 92145)	92145-S065	1
BOLT (Ref # 92153)	92153-S012	2
DAMPER (Ref # 92161)	92161-S070	2
DAMPER (Ref # 92161A)	92161-S071	2
NUT (Ref # 92210)	92210-S004	1
SEAT-ASSY,BLACK (Ref # 53066)	53066-S005-534	1
SEAT-ASSY,BLACK (Ref # 53066A)	53066-S007-534	1