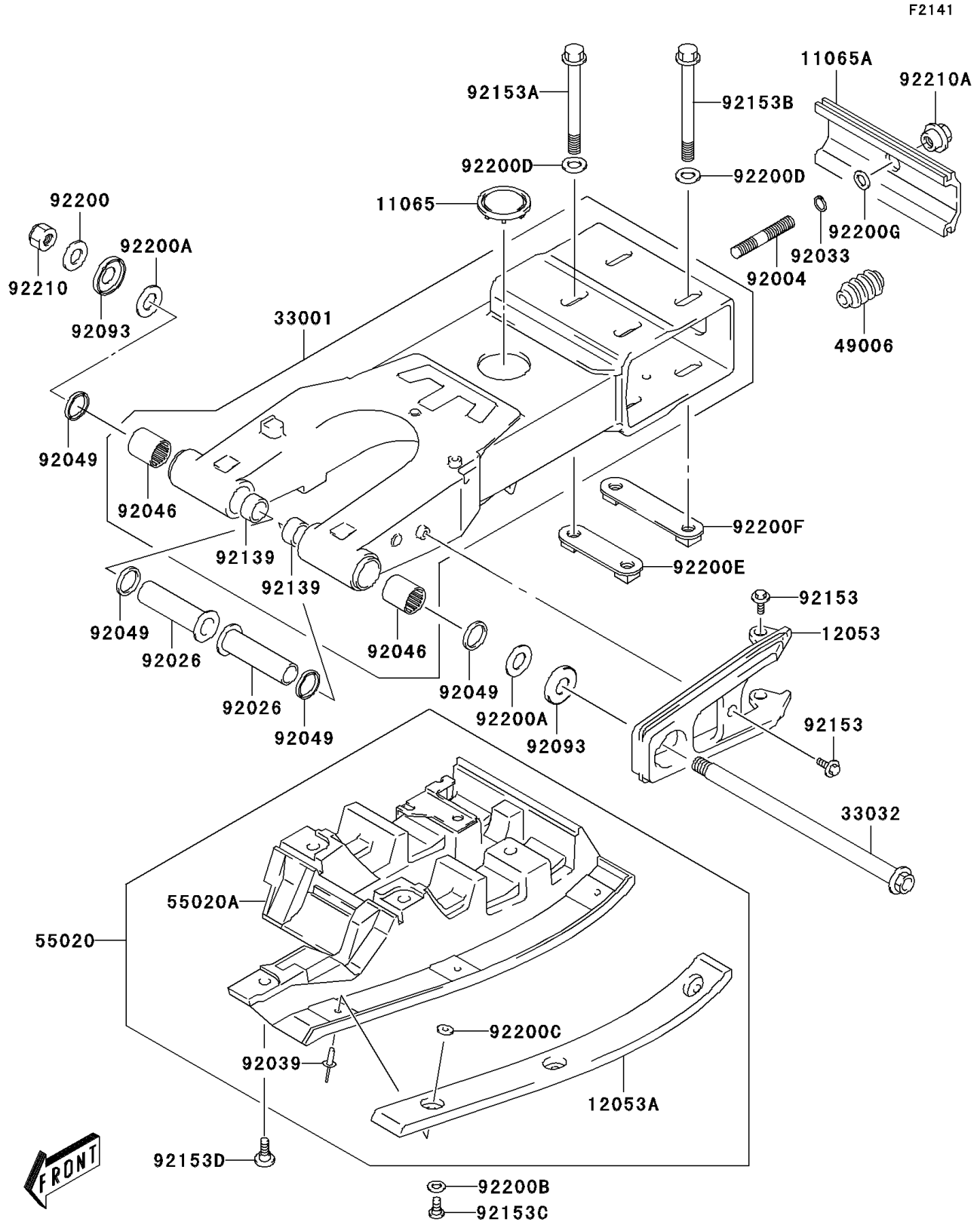


# 2006 KFX400 PARTS DIAGRAM

Swingarm



## 2006 KFX400 PARTS LIST

### Swingarm

ITEM NAME	PART NUMBER	QUANTITY
CAP,SWINGING ARM (Ref # 11065)	11065-S038	1
CAP,CHAIN ADJUSTER (Ref # 11065A)	11065-S064	1
GUIDE-CHAIN (Ref # 12053)	12053-S017	1
GUIDE-CHAIN (Ref # 12053A)	12053-S024	1
ARM-COMP-SWING (Ref # 33001)	33001-S016	1
SHAFT-SWING ARM (Ref # 33032)	33032-S007	1
BOOT (Ref # 49006)	49006-S038	1
GUARD,SWING ARM (Ref # 55020)	55020-S035	1
GUARD,SWING ARM (Ref # 55020A)	55020-S036	1
STUD,CHAIN ADJUSTER (Ref # 92004)	92004-S014	1
SPACER (Ref # 92026)	92026-S100	2
RING-SNAP (Ref # 92033)	92033-S002	1
RIVET (Ref # 92039)	92039-S011	3
BEARING-NEEDLE,SWING ARM (Ref # 92046)	92046-S019	2
SEAL-OIL,SWING ARM (Ref # 92049)	92049-S053	4
SEAL (Ref # 92093)	92093-S040	2
BUSHING (Ref # 92139)	92139-S029	2
BOLT (Ref # 92153)	92153-S306	3
BOLT (Ref # 92153A)	92153-S373	2
BOLT (Ref # 92153B)	92153-S374	2
BOLT,GUARD CENTER (Ref # 92153C)	92153-S398	2
BOLT (Ref # 92153D)	92153-S399	3
WASHER,16.2X30X2.6 (Ref # 92200)	92200-S011	1
WASHER (Ref # 92200A)	92200-S054	2
WASHER,MAGNETO (Ref # 92200B)	92200-S092	2
WASHER (Ref # 92200C)	92200-S215	3
WASHER (Ref # 92200D)	92200-S225	4
WASHER (Ref # 92200E)	92200-S226	1
WASHER (Ref # 92200F)	92200-S227	1

## 2006 KFX400 PARTS LIST

### Swingarm

ITEM NAME	PART NUMBER	QUANTITY
WASHER (Ref # 92200G)	92200-S234	1
NUT (Ref # 92210)	92210-S133	1
NUT (Ref # 92210A)	92210-S146	1