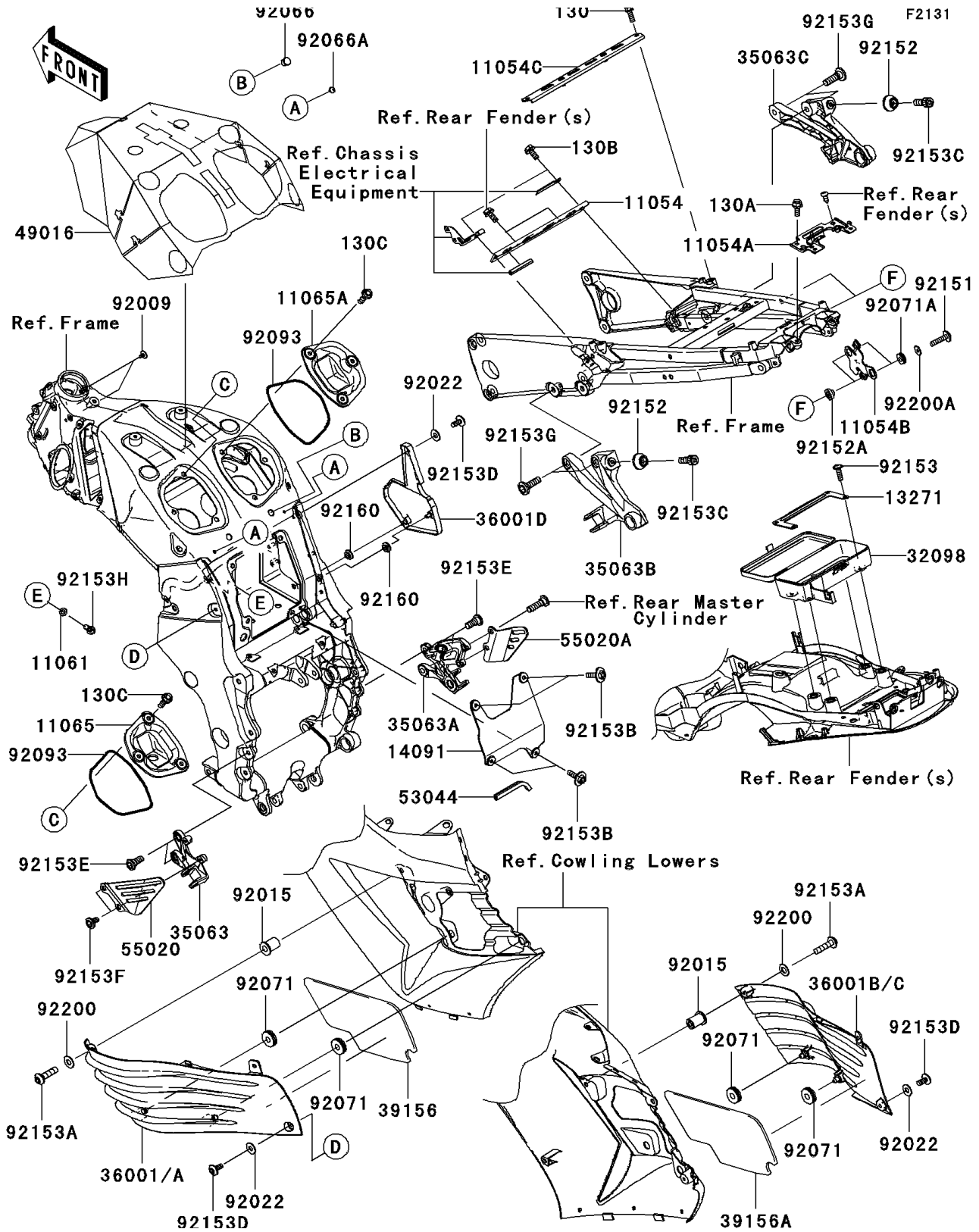


# 2007 Ninja® ZX™-14 PARTS DIAGRAM

## Frame Fittings



## 2007 Ninja® ZX™-14 PARTS LIST

### Frame Fittings

ITEM NAME	PART NUMBER	QUANTITY
BRACKET,RR FENDER,FR (Ref # 11054)	11054-0225	1
BRACKET,REAR FENDER&TAIL COVER (Ref # 11054A)	11054-0694	1
BRACKET,REGULATOR (Ref # 11054B)	11054-0718	1
BRACKET,FUEL TANK,RR (Ref # 11054C)	11054-0757	1
GASKET (Ref # 11061)	11061-0107	1
CAP,AIR CLEANER,LH (Ref # 11065)	11065-0132	1
CAP,AIR CLEANER,RH (Ref # 11065A)	11065-0133	1
PLATE,TOOL CASE (Ref # 13271)	13271-0779	1
COVER,BATTERY,BACK (Ref # 14091)	14091-0534	1
CASE-TOOL (Ref # 32098)	32098-0009	1
STAY,FR,LH,F.S.BLACK (Ref # 35063)	35063-0234-11E	1
STAY,FR,RH,F.S.BLACK (Ref # 35063A)	35063-0235-11E	1
STAY,RR,LH,F.S.BLACK (Ref # 35063B)	35063-0353-11E	1
STAY,RR,RH,F.S.BLACK (Ref # 35063C)	35063-0354-11E	1
COVER-SIDE,KNEE GRIP,LH,BLACK (Ref # 36001)	36001-0069-11J	1
COVER-SIDE,KNEE GRIP,RH,BLACK (Ref # 36001B)	36001-0070-11J	1
COVER-SIDE,BATTERY,RH,BLACK (Ref # 36001D)	36001-0080-11J	1
PAD,KNEE GRIP COVER,LH (Ref # 39156)	39156-0185	1
PAD,KNEE GRIP COVER,RH (Ref # 39156A)	39156-0186	1
COVER-SEAL (Ref # 49016)	49016-0034	1
TRIM,L=100 (Ref # 53044)	53044-1200	1
GUARD,FRONT STEP,LH (Ref # 55020)	55020-0211	1
GUARD,FRONT STEP,RH (Ref # 55020A)	55020-0212	1
SCREW,6X10 (Ref # 92009)	92009-1661	2
NUT,WELL,5MM (Ref # 92015)	92015-1757	2
WASHER,6.5X16X1 (Ref # 92022)	92022-1143	3
PLUG (Ref # 92066)	92066-1081	1
PLUG (Ref # 92066A)	92066-1547	2
GROMMET (Ref # 92071)	92071-056	4

## 2007 Ninja® ZX™-14 PARTS LIST

### Frame Fittings

ITEM NAME	PART NUMBER	QUANTITY
GROMMET (Ref # 92071A)	92071-1115	2
SEAL (Ref # 92093)	92093-1507	2
BOLT,SOCKET,6X25 (Ref # 92151)	92151-1611	2
COLLAR (Ref # 92152)	92152-0426	2
COLLAR (Ref # 92152A)	92152-0470	2
BOLT,6X18 (Ref # 92153)	92153-0478	4
BOLT,SOCKET,5X16 (Ref # 92153A)	92153-1244	2
BOLT,6X16 (Ref # 92153B)	92153-1423	4
BOLT,SOCKET,10X23 (Ref # 92153C)	92153-1522	2
BOLT-FLANGED,6X12 (Ref # 130)	130BA0612	2
BOLT-FLANGED,6X16 (Ref # 130A)	130BA0616	2
BOLT-FLANGED,6X18 (Ref # 130B)	130BA0618	2
BOLT-FLANGED,6X22 (Ref # 130C)	130BA0622	6
BOLT,SOCKET,6X14 (Ref # 92153D)	92153-1612	3
BOLT,SOCKET,8X20 (Ref # 92153E)	92153-1621	4
BOLT,6MM (Ref # 92153F)	92153-1622	2
BOLT,SOCKET,8X30 (Ref # 92153G)	92153-1630	4
BOLT,FLANGED,6X14 (Ref # 92153H)	92153-1676	1
DAMPER (Ref # 92160)	92160-1613	2
WASHER,NYLON,5.3X11.5X0.5 (Ref # 92200)	92200-0006	2
WASHER,6.5X20X1.6 (Ref # 92200A)	92200-0283	2