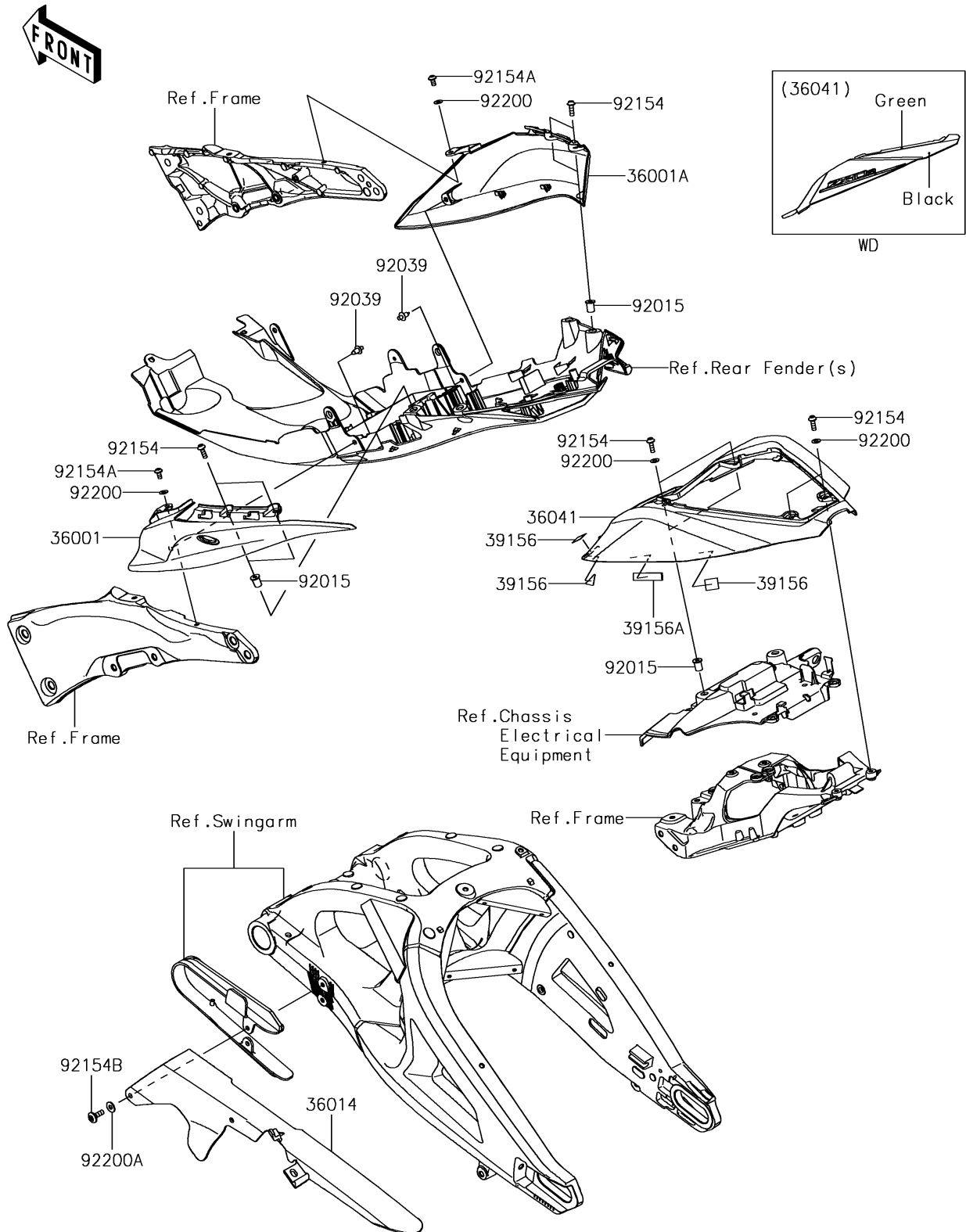


2018 Ninja® ZX™-10R PARTS DIAGRAM

Side Covers/Chain Cover

F2610



2018 Ninja® ZX™-10R PARTS LIST

Side Covers/Chain Cover

ITEM NAME	PART NUMBER	QUANTITY
COVER-SIDE, TAIL, LH, M.M.G.GRAY (Ref # 36001)	36001-0640-53U	1
COVER-SIDE, TAIL, RH, M.M.G.GRAY (Ref # 36001A)	36001-0641-53U	1
CASE-CHAIN (Ref # 36014)	36014-0062	1
COVER-TAIL, M.F.S.BLACK+GRN (Ref # 36041)	36041-5288-62A	1
PAD, 15X20X0.2 (Ref # 39156)	39156-1784	1
PAD, 10X50X2 (Ref # 39156A)	39156-1924	1
NUT, WELL, 5MM (Ref # 92015)	92015-1757	1
RIVET (Ref # 92039)	92039-0068	1
BOLT, SOCKET, 5X16 (Ref # 92154)	92154-0209	1
BOLT, SOCKET, 5X10 (Ref # 92154A)	92154-0211	1
BOLT, SOCKET, 6X18 (Ref # 92154B)	92154-1694	1
WASHER, NYLONE, 5.3X11.5X0.5 (Ref # 92200)	92200-0006	1
WASHER, 6.2X15X1.2 (Ref # 92200A)	92200-1762	1