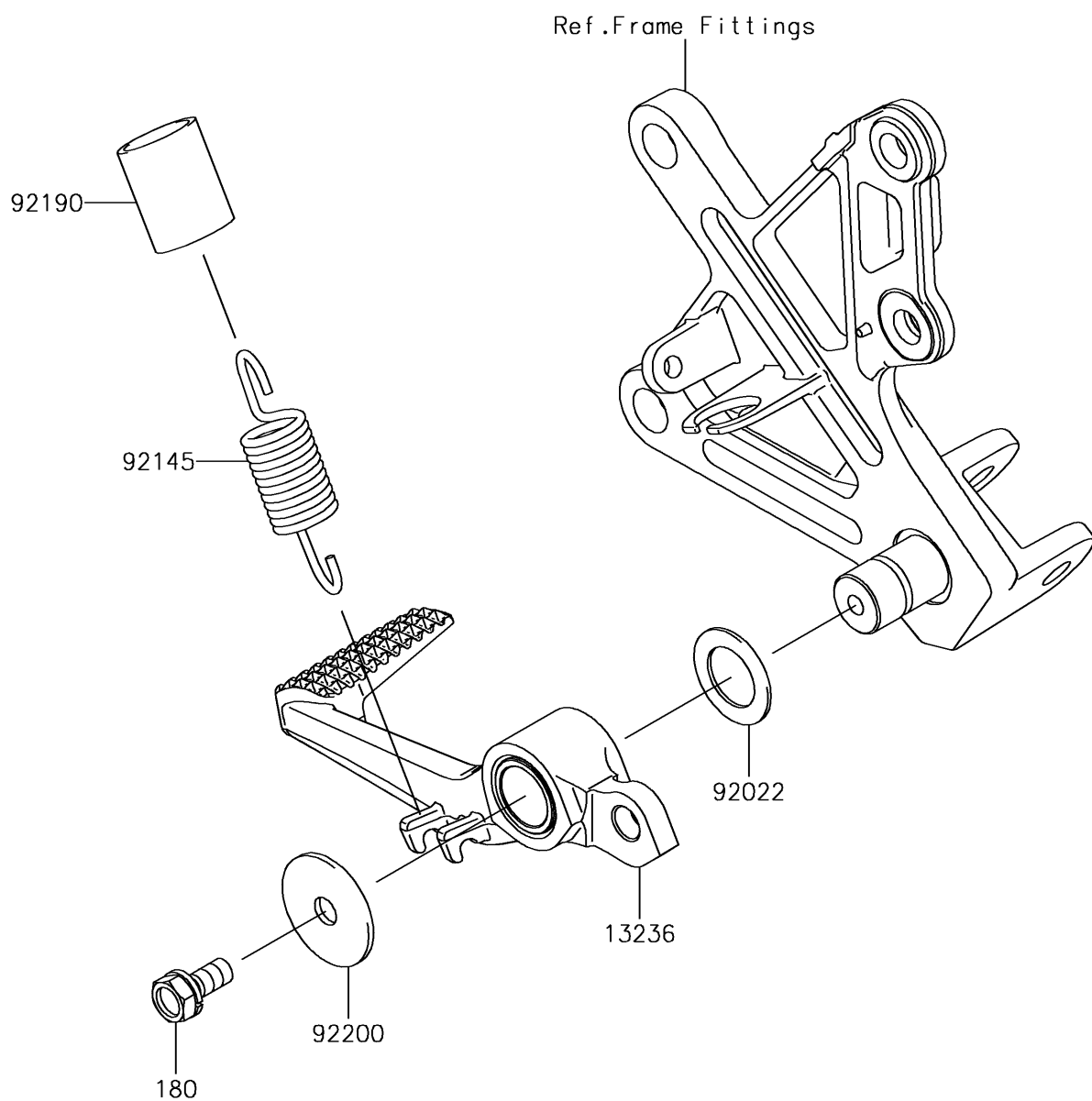


2018 Ninja® ZX™-10R PARTS DIAGRAM

Brake Pedal/Torque Link

F2260



2018 Ninja® ZX™-10R PARTS LIST

Brake Pedal/Torque Link

| ITEM NAME | PART NUMBER | QUANTITY |
|--------------------------------------|-------------|----------|
| LEVER-COMP,BRAKE PEDAL (Ref # 13236) | 13236-0195 | 1 |
| BOLT-UPSET-WS,6X14 (Ref # 180) | 180BA0614 | 1 |
| WASHER,15.3X24X1 (Ref # 92022) | 92022-326 | 1 |
| SPRING,BRAKE PEDAL (Ref # 92145) | 92145-0826 | 1 |
| TUBE,16X19X30 (Ref # 92190) | 92190-1185 | 1 |
| WASHER,7X28X1.6 (Ref # 92200) | 92200-0279 | 1 |