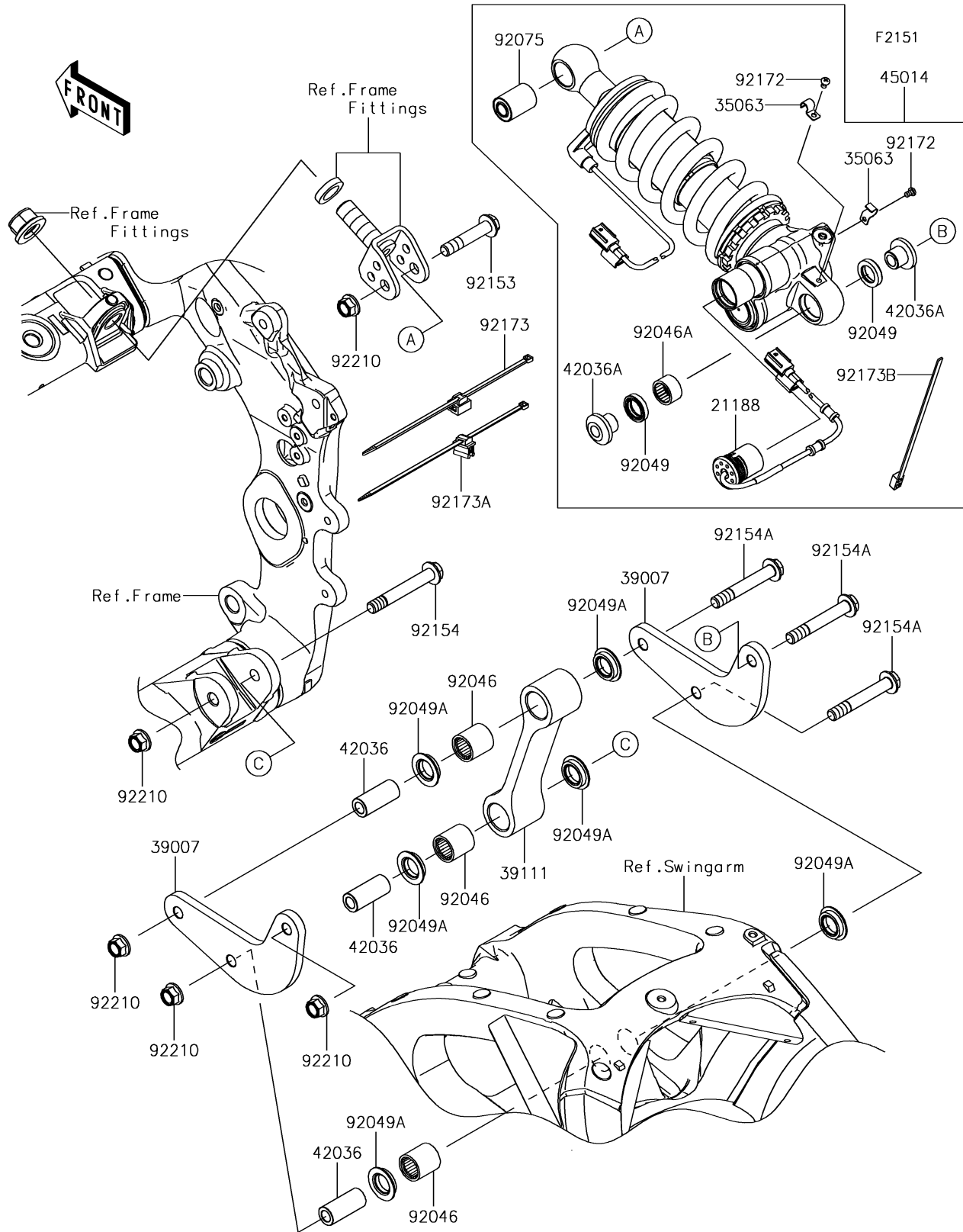


## 2018 Ninja® ZX™-10R PARTS DIAGRAM

Suspension/Shock Absorber



## 2018 Ninja® ZX™-10R PARTS LIST

Suspension/Shock Absorber

| ITEM NAME                                    | PART NUMBER    | QUANTITY |
|--|----------------|----------|
| SOLENOID (Ref # 21188)                       | 21188-0014     | 1        |
| STAY (Ref # 35063)                           | 35063-1439     | 1        |
| ARM-SUSP (Ref # 39007)                       | 39007-0419     | 1        |
| ROD-TIE,SUSPENSION (Ref # 39111)             | 39111-0337     | 1        |
| SLEEVE,10.1X17X39 (Ref # 42036)              | 42036-0075     | 1        |
| SLEEVE (Ref # 42036A)                        | 42036-0789     | 1        |
| SHOCKABSORBER,KECS,L.GREEN+GRN (Ref # 45014) | 45014-0607-52Q | 1        |
| BEARING-NEEDLE,SFYZM172425 (Ref # 92046)     | 92046-1273     | 1        |
| BEARING-NEEDLE,7E-HVS16X22X12 (Ref # 92046A) | 92046-1301     | 1        |
| SEAL-OIL (Ref # 92049)                       | 92049-0792     | 1        |
| SEAL-OIL,MHA17245.7F (Ref # 92049A)          | 92049-1223     | 1        |
| DAMPER,SHOCKABSORBER (Ref # 92075)           | 92075-1426     | 1        |
| BOLT,FLANGED,10X51 (Ref # 92153)             | 92153-1545     | 1        |
| BOLT,FLANGED,10X71 (Ref # 92154)             | 92154-0384     | 1        |
| BOLT,FLANGED,10X67 (Ref # 92154A)            | 92154-3783     | 1        |
| SCREW (Ref # 92172)                          | 92172-1252     | 1        |
| CLAMP (Ref # 92173)                          | 92173-1578     | 1        |
| CLAMP,EDGE CLIP CABLE,L=200 (Ref # 92173A)   | 92173-1896     | 1        |
| CLAMP (Ref # 92173B)                         | 92173-1918     | 1        |
| NUT,LOCK,FLANGED,10MM (Ref # 92210)          | 92210-1139     | 1        |