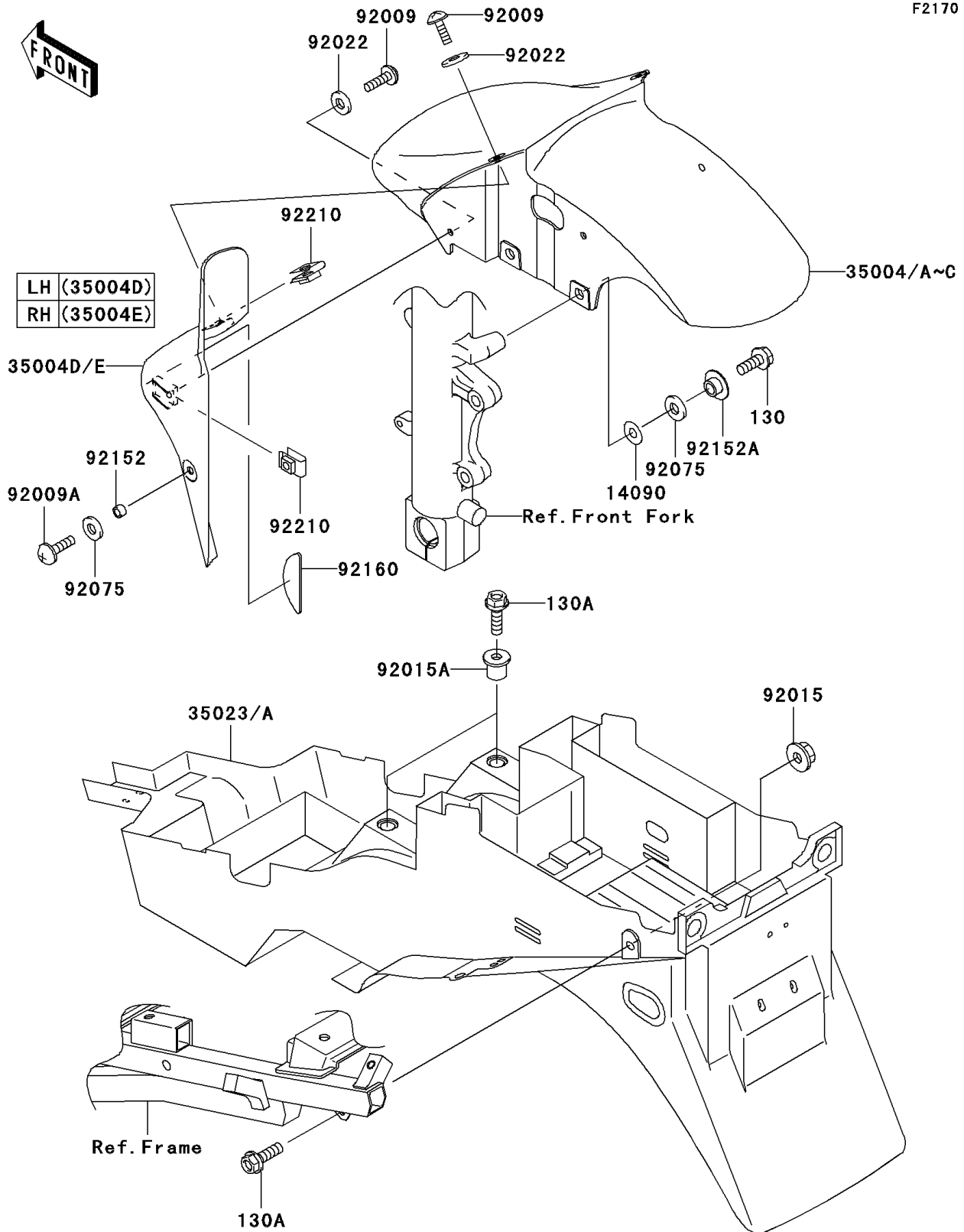


# 2008 ZZR<sup>®</sup> 600

## PARTS DIAGRAM

### Fenders

F2170



# 2008 ZZR<sup>®</sup> 600

## PARTS LIST

### Fenders

ITEM NAME	PART NUMBER	QUANTITY
BOLT-FLANGED,6X16 (Ref # 130)	130H0616	4
BOLT-FLANGED,6X20 (Ref # 130A)	130J0620	4
COVER (Ref # 14090)	14090-1505	4
FENDER-FRONT,CNT,EBONY (Ref # 35004)	35004-1421-H8	1
FENDER-FRONT,CNT,C.P.BLUE (Ref # 35004B)	35004-1421-723	1
FENDER-FRONT,SIDE,LH,C.GRAY (Ref # 35004D)	35004-1422-3L	1
FENDER-FRONT,SIDE,RH,C.GRAY (Ref # 35004E)	35004-1423-3L	1
FENDER-REAR (Ref # 35023A)	35023-1540	1
SCREW,5X16,BLACK (Ref # 92009)	92009-1654	4
SCREW,6X14 (Ref # 92009A)	92009-1662	2
NUT,6MM (Ref # 92015)	92015-1321	2
NUT (Ref # 92015A)	92015-1700	2
WASHER,NYLON,5.3X11.5X1.5 (Ref # 92022)	92022-1521	4
DAMPER (Ref # 92075)	92075-1564	6
COLLAR,6.8X10X6 (Ref # 92152)	92152-1256	2
COLLAR (Ref # 92152A)	92152-1269	4
DAMPER (Ref # 92160)	92160-1961	2
NUT,5MM (Ref # 92210)	92210-1266	4