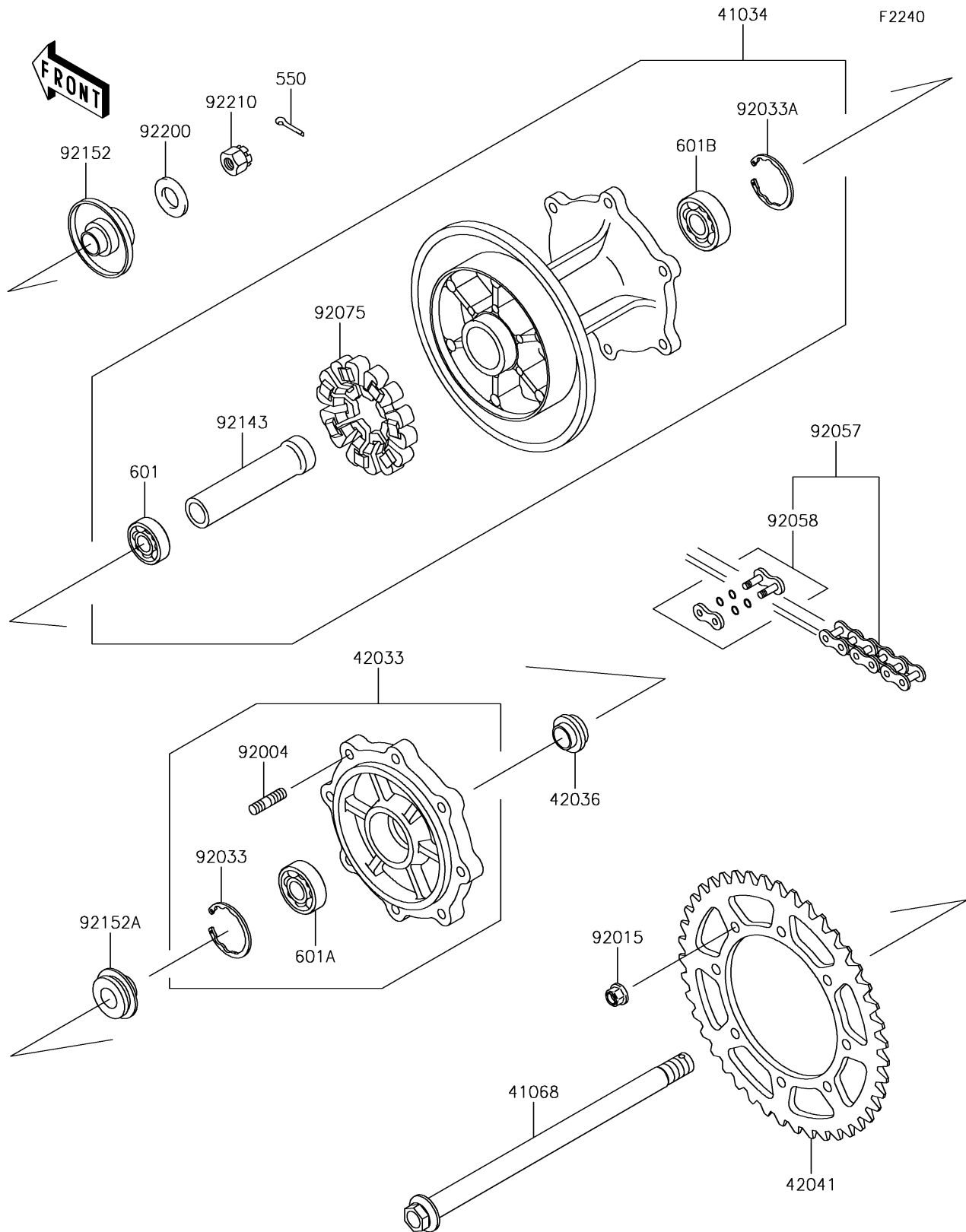


2018 KLR™650 CAMO PARTS DIAGRAM

Rear Hub



2018 KLR™650 CAMO PARTS LIST

Rear Hub

ITEM NAME	PART NUMBER	QUANTITY
DRUM-ASSY,REAR BRAKE,F.BLACK (Ref # 41034)	41034-0041-21	1
AXLE,RR (Ref # 41068)	41068-0056	1
COUPLING-ASSY,REAR HUB (Ref # 42033)	42033-1112	1
SLEEVE (Ref # 42036)	42036-0074	1
SPROCKET-HUB,43T (Ref # 42041)	42041-1260	1
PIN-COTTER,4.0X35 (Ref # 550)	550AA4035	1
BEARING-BALL,#6003G (Ref # 601)	601B6003G	1
BEARING-BALL,#6004UG (Ref # 601A)	601B6004UG	1
BEARING-BALL,#6204UG (Ref # 601B)	601B6204UG	1
STUD,8X16 (Ref # 92004)	92004-1150	1
NUT,8MM (Ref # 92015)	92015-1432	1
RING-SNAP,42MM (Ref # 92033)	92033-1041	1
RING-SNAP,47MM (Ref # 92033A)	92033-1042	1
CHAIN,DRIVE,EK520SR-02X106L (Ref # 92057)	92057-0019	1
JOINT-CHAIN,DRIVE (Ref # 92058)	92058-1102	1
DAMPER,SHOCK,RR HUB (Ref # 92075)	92075-1068	1
COLLAR,REAR BRAKE DRUM,L=113 (Ref # 92143)	92143-1060	1
COLLAR,L=30MM (Ref # 92152)	92152-0851	1
COLLAR,L=17MM (Ref # 92152A)	92152-0852	1
WASHER,17.3X32X3.2 (Ref # 92200)	92200-0563	1
NUT,CASTLE,16MM (Ref # 92210)	92210-1171	1