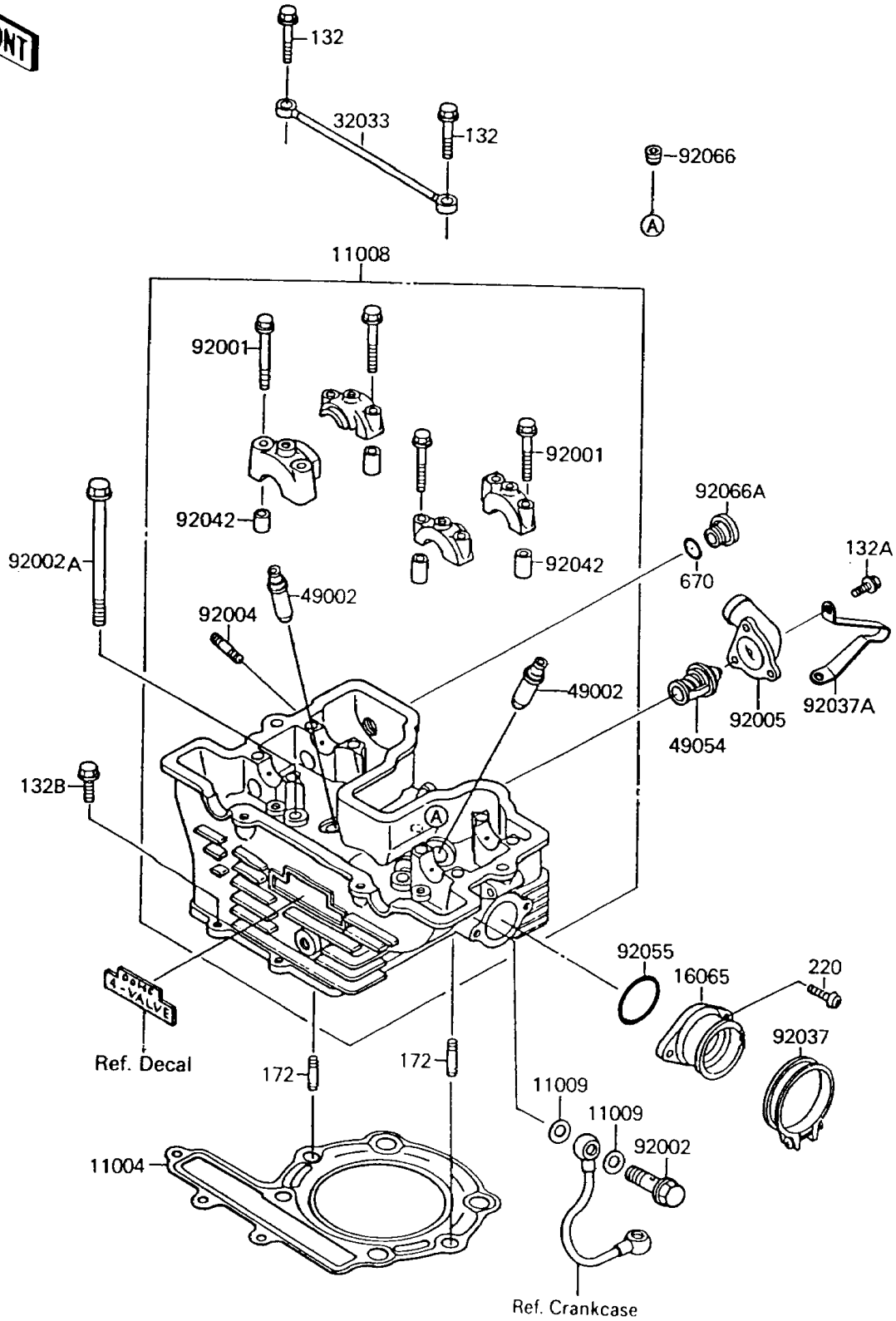


# 1995 Mojave 250 PARTS DIAGRAM

Cylinder Head

E1111



# 1995 Mojave 250 PARTS LIST

## Cylinder Head

| ITEM NAME                             | PART NUMBER | QUANTITY |
|---------------------------------------|-------------|----------|
| GASKET-HEAD (Ref # 11004)             | 11004-1121  | 1        |
| HEAD-COMP-CYLINDER (Ref # 11008)      | 11008-1189  | 1        |
| GASKET,10X14.5X1.5 (Ref # 11009)      | 11009-1105  | 2        |
| HOLDER-CARBURETOR (Ref # 16065)       | 16065-1143  | 1        |
| PIPE,OIL (Ref # 32033)                | 32033-1402  | 1        |
| GUIDE-VALVE (Ref # 49002)             | 49002-1052  | 4        |
| THERMOSTAT (Ref # 49054)              | 49054-1003  | 1        |
| BOLT,6X46 (Ref # 92001)               | 92001-1872  | 8        |
| BOLT,BANJO,10X25 (Ref # 92002)        | 92002-1170  | 1        |
| BOLT,L=162 (Ref # 92002A)             | 92002-1328  | 4        |
| STUD,8X25 (Ref # 92004)               | 92004-1214  | 2        |
| FITTING (Ref # 92005)                 | 92005-1121  | 1        |
| CLAMP,ID=53,BLACK (Ref # 92037)       | 92037-1304  | 1        |
| CLAMP,CLUTCH CABLE (Ref # 92037A)     | 92037-1984  | 1        |
| PIN,DOWEL,6.3X8X14 (Ref # 92042)      | 92042-007   | 8        |
| RING-O (Ref # 92055)                  | 92055-1255  | 1        |
| PLUG,1/8X7 (Ref # 92066)              | 92066-1173  | 1        |
| PLUG,ROCKER SHAFT (Ref # 92066A)      | 92066-1188  | 1        |
| BOLT-FLANGED-SMALL (Ref # 132)        | 132G0625    | 2        |
| BOLT-FLANGED-SMALL (Ref # 132A)       | 132J0612    | 3        |
| BOLT-FLANGED-SMALL (Ref # 132B)       | 132J0625    | 2        |
| BOLT-STUD,8X22 (Ref # 172)            | 172G0822    | 2        |
| SCREW-PAN-CROS,6X16,BLACK (Ref # 220) | 220C0616    | 2        |
| O RING,20MM (Ref # 670)               | 670B2020    | 1        |