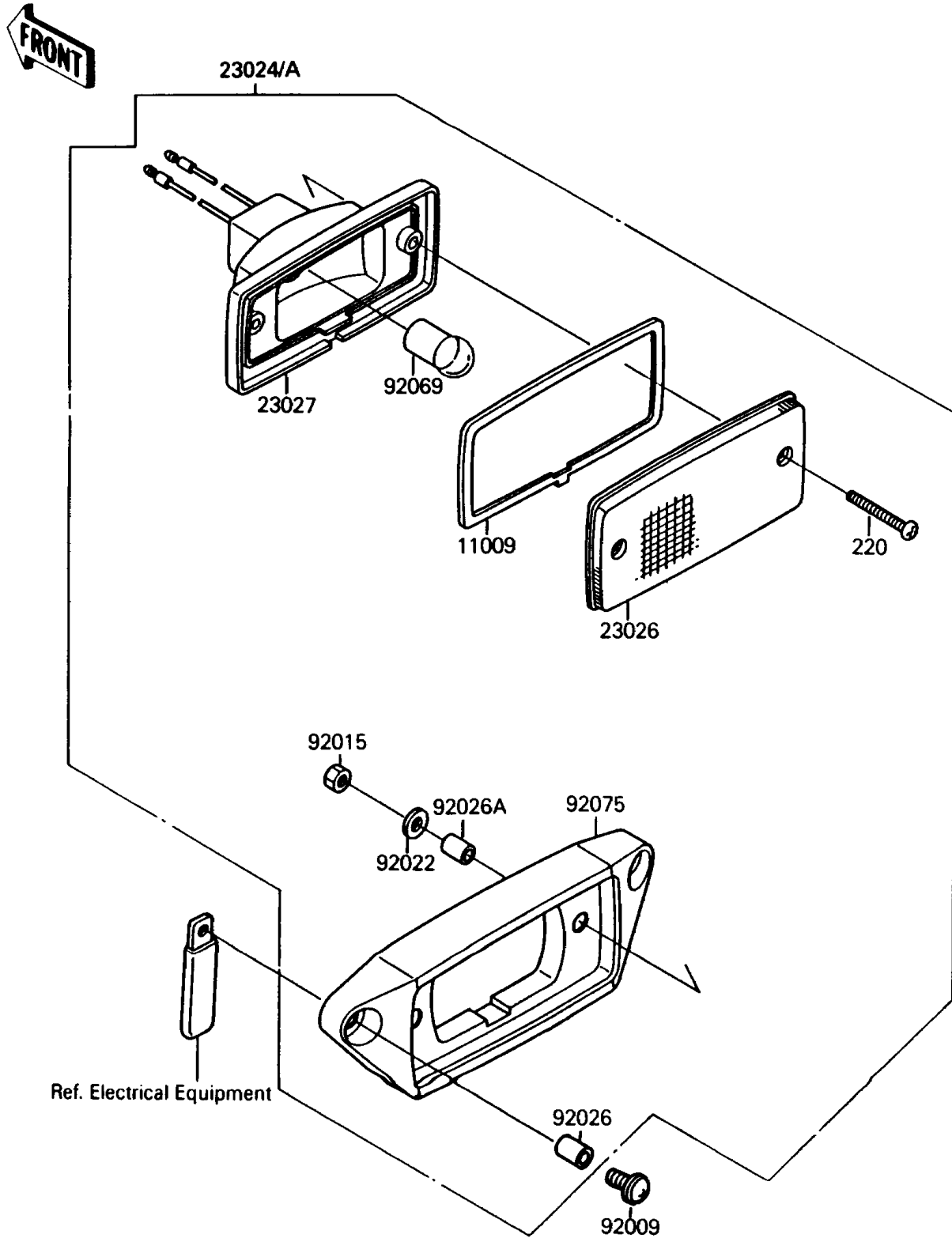


1989 Mojave 250 PARTS DIAGRAM

Tail Lamp

F2720



1989 Mojave 250 PARTS LIST

Tail Lamp

| ITEM NAME | PART NUMBER | QUANTITY |
|-----------------------------------|-------------|----------|
| GASKET,TAIL LAMP (Ref # 11009) | 11009-4004 | 1 |
| LAMP-ASSY-TAIL (Ref # 23024) | 23024-1104 | 1 |
| LENS,TAIL LAMP (Ref # 23026) | 23026-4003 | 1 |
| BODY-COMP-TAIL LAMP (Ref # 23027) | 23027-4001 | 1 |
| SCREW,6X22,BLACK (Ref # 92009) | 92009-1256 | 2 |
| NUT,4MM (Ref # 92015) | 92015-1550 | 2 |
| WASHER,PLAIN,4MM (Ref # 92022) | 92022-1762 | 2 |
| SPACER,6.3X8.3X10 (Ref # 92026) | 92026-1260 | 2 |
| SPACER,4.5X6.5X10 (Ref # 92026A) | 92026-1261 | 2 |
| BULB,12V 8W (Ref # 92069) | 92069-1012 | 1 |
| DAMPER,TAIL LAMP (Ref # 92075) | 92075-1782 | 1 |
| SCREW-PAN-CROS (Ref # 220) | 220B0430 | 2 |