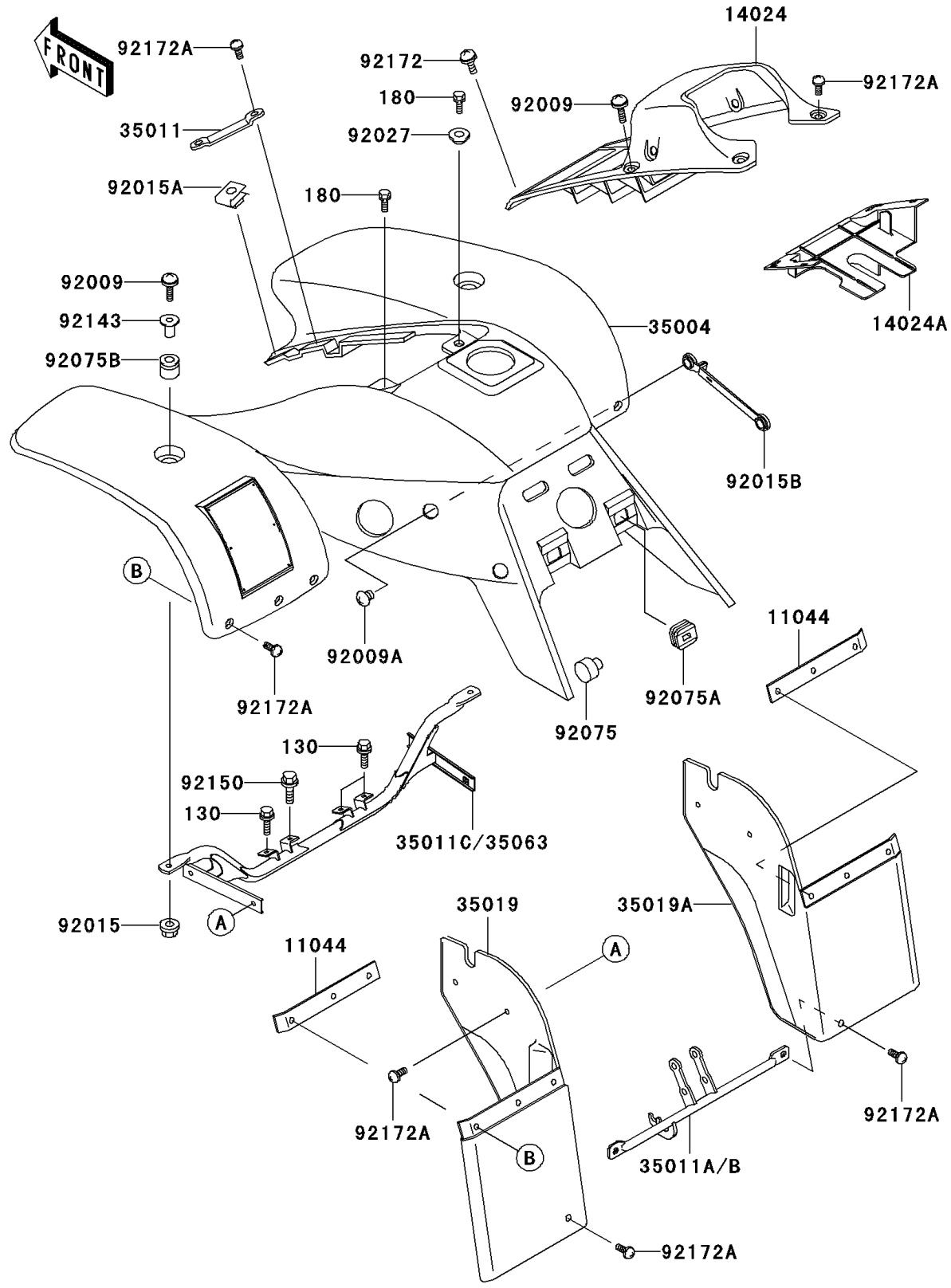


# 2004 KFX 250 Mojave PARTS DIAGRAM

Front Fender(s)

F2171



## 2004 KFX 250 Mojave PARTS LIST

### Front Fender(s)

| ITEM NAME                               | PART NUMBER   | QUANTITY |
|---|---------------|----------|
| BOLT-FLANGED,6X12 (Ref # 130)           | 130P0612      | 3        |
| BOLT-UPSET-WS,6X35 (Ref # 180)          | 180D0635      | 2        |
| BRACKET,FLAP (Ref # 11044)              | 11044-1934    | 2        |
| COVER,FRONT FENDER,BLACK (Ref # 14024)  | 14024-1268-6D | 1        |
| COVER,FRONT FENDER,INNER (Ref # 14024A) | 14024-1297    | 1        |
| FENDER-FRONT,L.GREEN (Ref # 35004)      | 35004-1379-6W | 1        |
| STAY,FRONT FENDER (Ref # 35011)         | 35011-1324    | 1        |
| STAY,FLAP,G.GRAY (Ref # 35011B)         | 35011-1637-HN | 1        |
| FLAP,LH (Ref # 35019)                   | 35019-1172    | 1        |
| FLAP,RH (Ref # 35019A)                  | 35019-1173    | 1        |
| STAY,FRONT FENDER (Ref # 35063)         | 35063-1169    | 1        |
| SCREW,6X22,BLACK (Ref # 92009)          | 92009-1256    | 4        |
| SCREW,16MM (Ref # 92009A)               | 92009-1508    | 2        |
| NUT,FLANGED,6MM,BLACK (Ref # 92015)     | 92015-1233    | 2        |
| NUT,CLAMP,6MM (Ref # 92015A)            | 92015-1678    | 6        |
| NUT (Ref # 92015B)                      | 92015-1701    | 1        |
| COLLAR,L=5.6 (Ref # 92027)              | 92027-1933    | 1        |
| DAMPER,DUAL SEAT (Ref # 92075)          | 92075-023     | 1        |
| DAMPER (Ref # 92075A)                   | 92075-1834    | 2        |
| DAMPER,CASE (Ref # 92075B)              | 92075-222     | 2        |
| COLLAR,L=9.6 (Ref # 92143)              | 92143-1016    | 2        |
| BOLT,FLANGED,6X16 (Ref # 92150)         | 92150-1358    | 1        |
| SCREW,6X18 (Ref # 92172)                | 92172-0002    | 2        |
| SCREW,6X14 (Ref # 92172A)               | 92172-0004    | 16       |