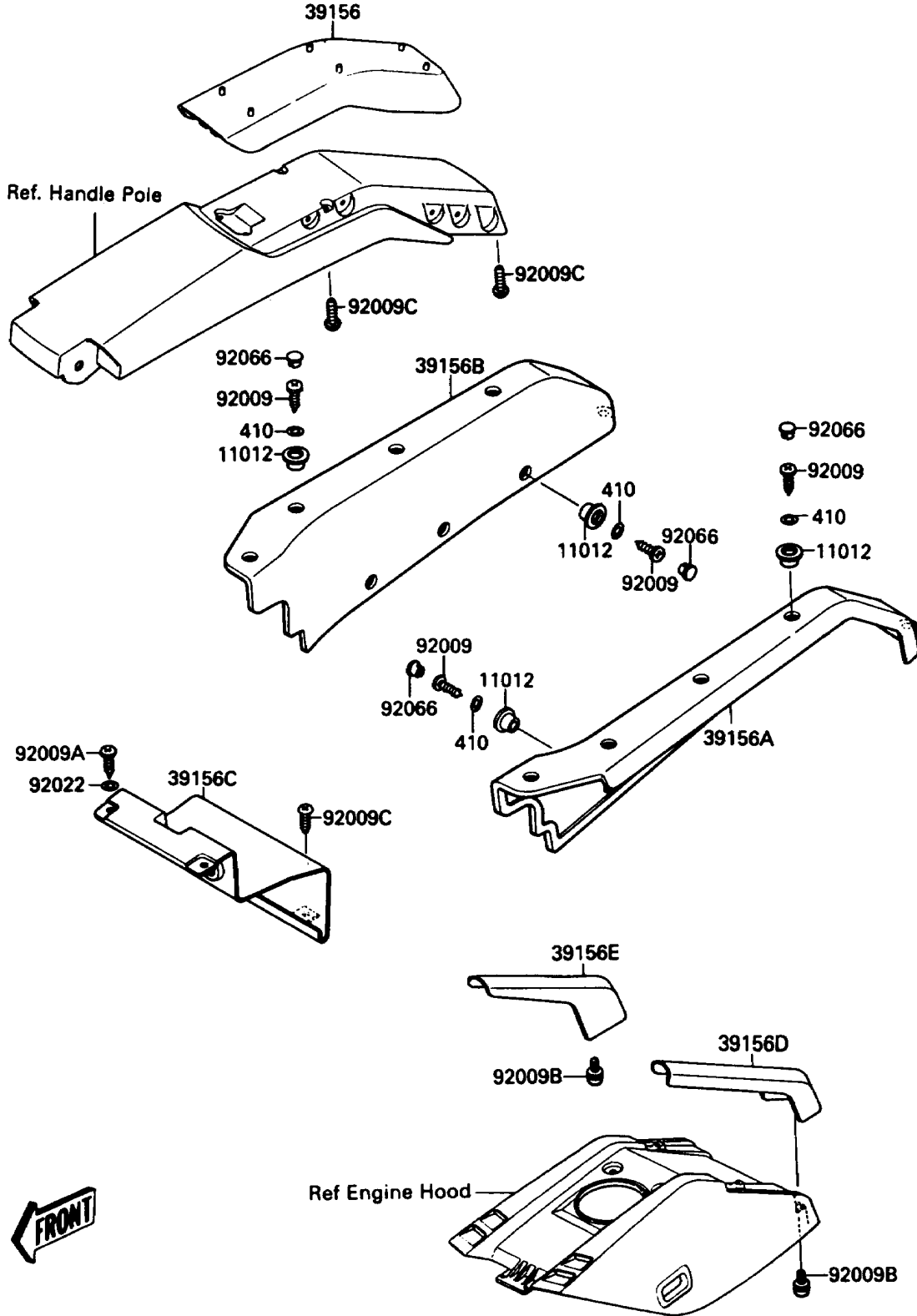


# 1990 650 SX PARTS DIAGRAM

Pads

( F3147 )



## 1990 650 SX PARTS LIST

### Pads

ITEM NAME	PART NUMBER	QUANTITY
CAP (Ref # 11012)	11012-3725	14
PAD,HANDLE POLE (Ref # 39156)	39156-3714	1
PAD,HULL DECK,LH (Ref # 39156A)	39156-3717	1
PAD,HULL DECK,RH (Ref # 39156B)	39156-3718	1
PAD,METER (Ref # 39156C)	39156-3719	1
PAD,ENGINE HOOD,LH (Ref # 39156D)	39156-3728	1
PAD,ENGINE HOOD,RH (Ref # 39156E)	39156-3729	1
WASHER-PLAIN-SMALL,6MM (Ref # 410)	410S0600	14
SCREW,TAPPING,5X20 (Ref # 92009)	92009-3716	14
SCREW (Ref # 92009A)	92009-3728	2
SCREW,5X12 (Ref # 92009B)	92009-3740	2
SCREW,TAPPING (Ref # 92009C)	92011-561	6
WASHER,6MM (Ref # 92022)	92022-3747	2
PLUG (Ref # 92066)	92066-3716	14