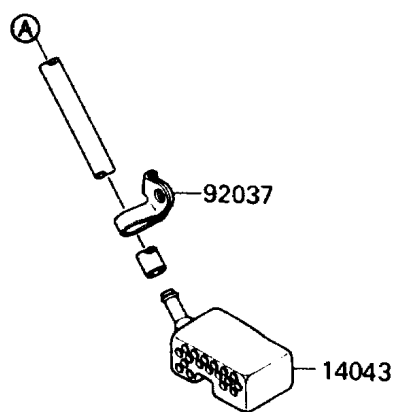
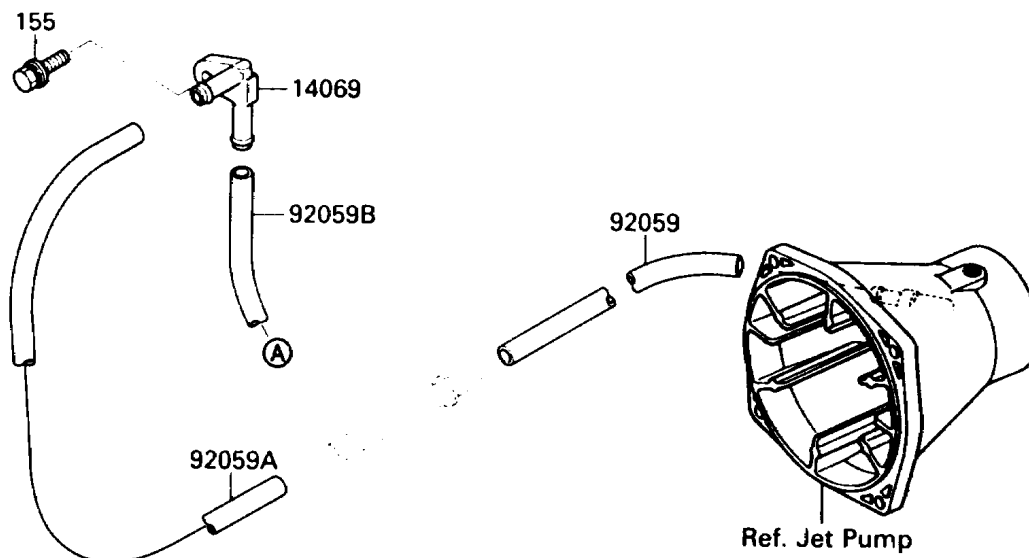


1989 650 SX PARTS DIAGRAM

Bilge System

(F3145)



1989 650 SX PARTS LIST

Bilge System

ITEM NAME	PART NUMBER	QUANTITY
FILTER,BILGE (Ref # 14043)	59236-504	1
BREATHER,BILGE (Ref # 14069)	14069-3001	1
BOLT-WSP-SMALL,8X25 (Ref # 155)	155R0825	1
CLAMP,BILGE FILTER (Ref # 92037)	92037-3737	1
TUBE,9X16X200 (Ref # 92059)	92059-3748	1
TUBE,9X16X320 (Ref # 92059A)	92059-3792	1
TUBE,9X16X250 (Ref # 92059B)	92059-502	1