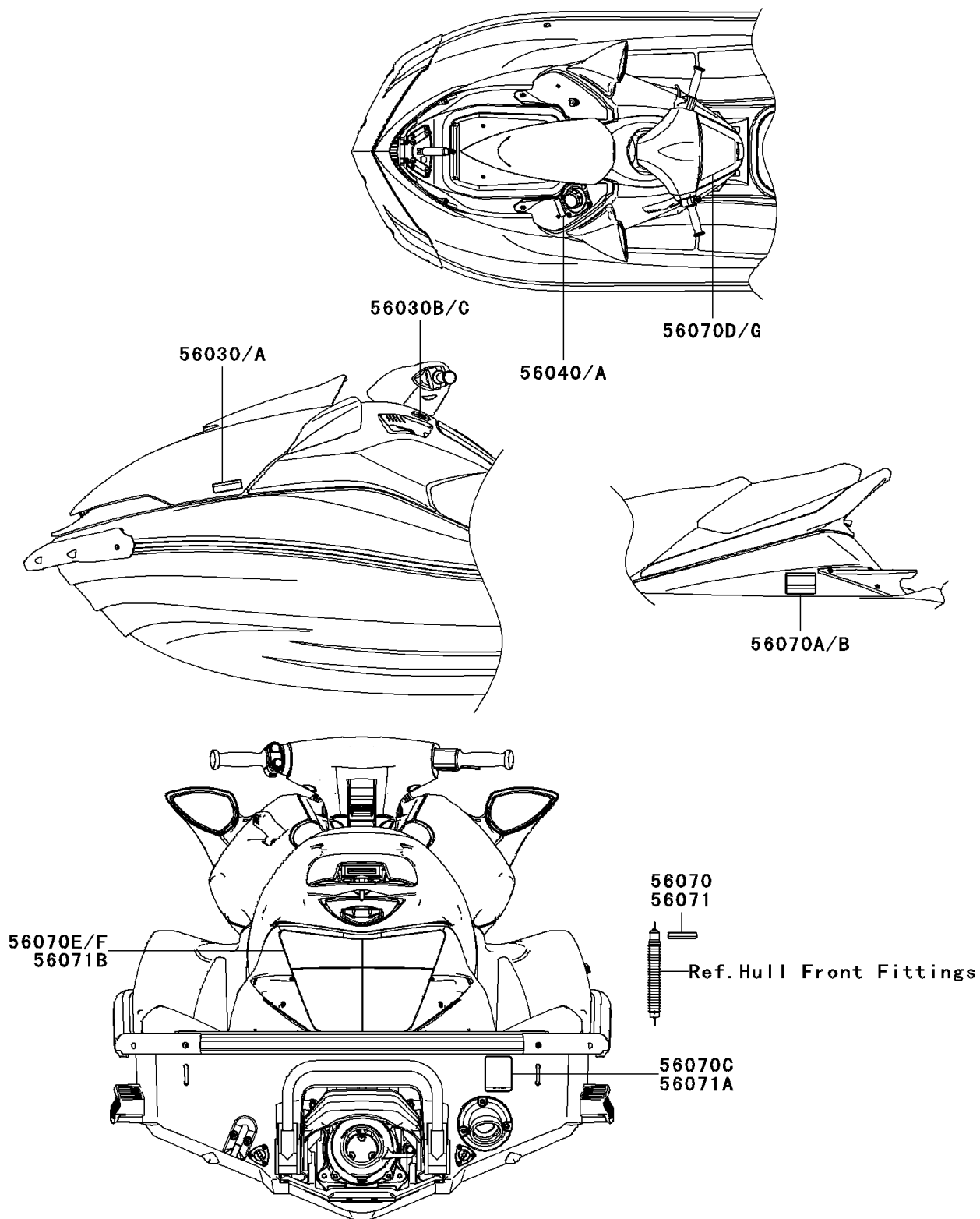


## 2010 Jet Ski® Ultra® LX PARTS DIAGRAM

Labels

F3183



## 2010 Jet Ski® Ultra® LX PARTS LIST

Labels

| ITEM NAME                                     | PART NUMBER | QUANTITY |
|---|-------------|----------|
| LABEL,FIRE EXTINGUISHER (Ref # 56030)         | 56030-3755  | 1        |
| LABEL,REVERSE (Ref # 56030B)                  | 56030-3815  | 1        |
| LABEL-WARNING,GASOLINE (Ref # 56040)          | 56040-3972  | 1        |
| LABEL-WARNING,DAMPER (Ref # 56070)            | 56070-3876  | 1        |
| LABEL-WARNING,GRAB HANDLE&STEP (Ref # 56070A) | 56070-3964  | 1        |
| LABEL-WARNING,RIGHTING (Ref # 56070C)         | 56070-3986  | 1        |
| LABEL-WARNING,TETHER SWITCH (Ref # 56070D)    | 56070-3988  | 1        |
| LABEL-WARNING,IMPORTANT SAFETY (Ref # 56070E) | 56070-3989  | 1        |