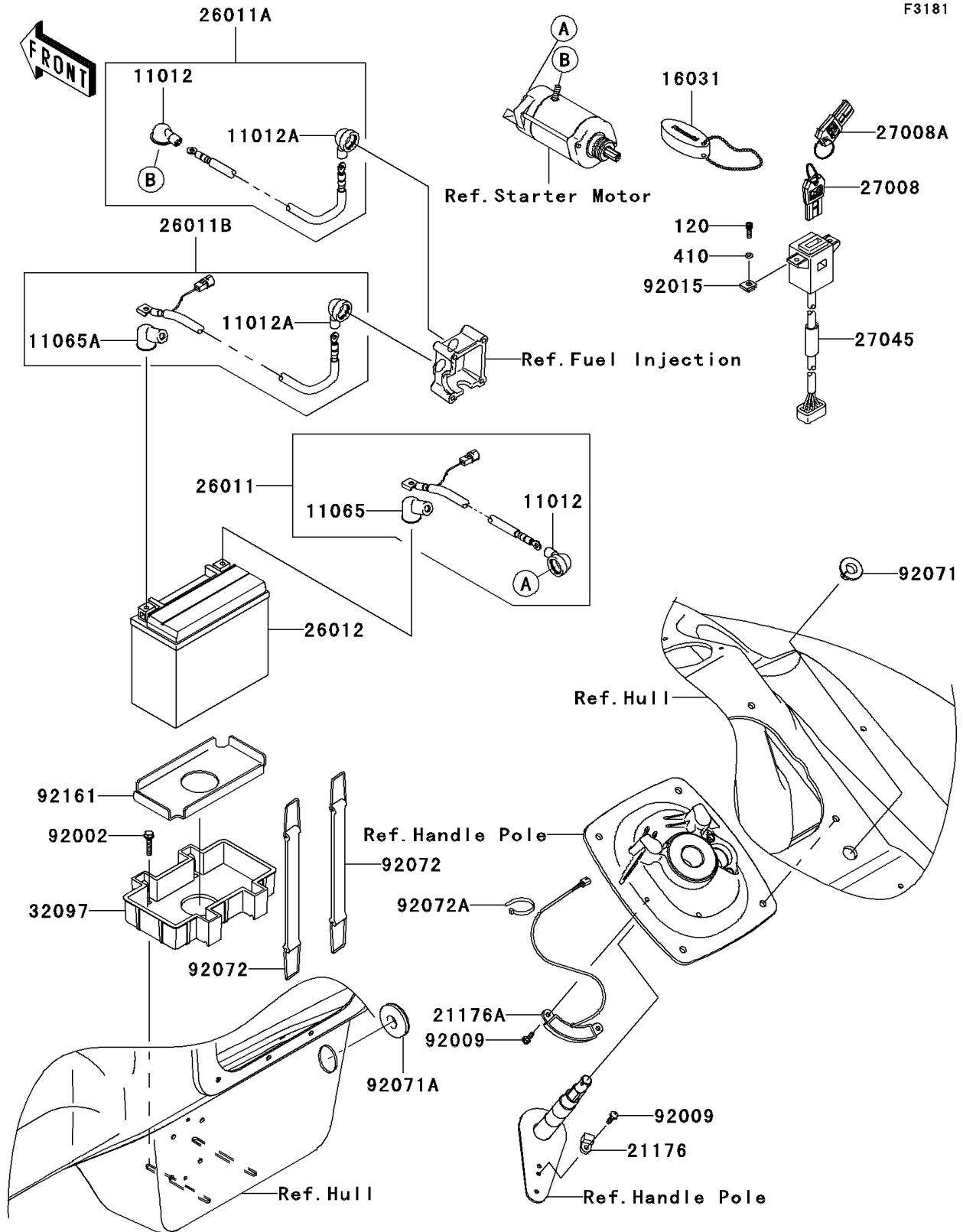


2010 Jet Ski® Ultra® LX PARTS DIAGRAM

Electrical Equipment

F3181



2010 Jet Ski® Ultra® LX PARTS LIST

Electrical Equipment

ITEM NAME	PART NUMBER	QUANTITY
CAP (Ref # 11012)	11012-3004	1
CAP,LEAD WIRE (Ref # 11012A)	11012-3726	1
CAP,TERMINAL (Ref # 11065)	11065-3729	1
CAP,TERMINAL (Ref # 11065A)	11065-3732	1
BOLT-SOCKET,5X16 (Ref # 120)	120R0516	1
FLOAT,KEY (Ref # 16031)	16031-3991	1
SENSOR,MAGNET (Ref # 21176)	21176-3746	1
SENSOR,HOLE IC (Ref # 21176A)	21176-3748	1
WIRE-LEAD,BATTERY(-)-STARTER (Ref # 26011)	26011-3915	1
WIRE-LEAD,RELAY-STARTER (Ref # 26011A)	26011-3916	1
WIRE-LEAD,RELAY-BATTERY(+) (Ref # 26011B)	26011-3924	1
BATTERY,YTX20L-BS,12V 18AH (Ref # 26012)	26012-3730	1
FPO MODE KEY (Ref # 27008)	27008-3767	1
SLO MODE KEY (Ref # 27008A)	27008-3768	1
SWITCH-ASSY (Ref # 27045)	27045-3755	1
CASE-BATTERY (Ref # 32097)	32097-3709	1
W-PLAIN-S,5MM (Ref # 410)	410S0500	1
BOLT,6X30 (Ref # 92002)	92002-3726	1
SCREW,5X16 (Ref # 92009)	92009-3868	1
NUT,CLIP,5MM (Ref # 92015)	92015-3830	1
GROMMET (Ref # 92071)	92071-3826	1
GROMMET (Ref # 92071A)	92071-3840	1
BAND,340X22 (Ref # 92072)	92072-3805	1
BAND,L=100.08 (Ref # 92072A)	92072-3882	1
DAMPER,BATTERY CASE (Ref # 92161)	92161-3762	1