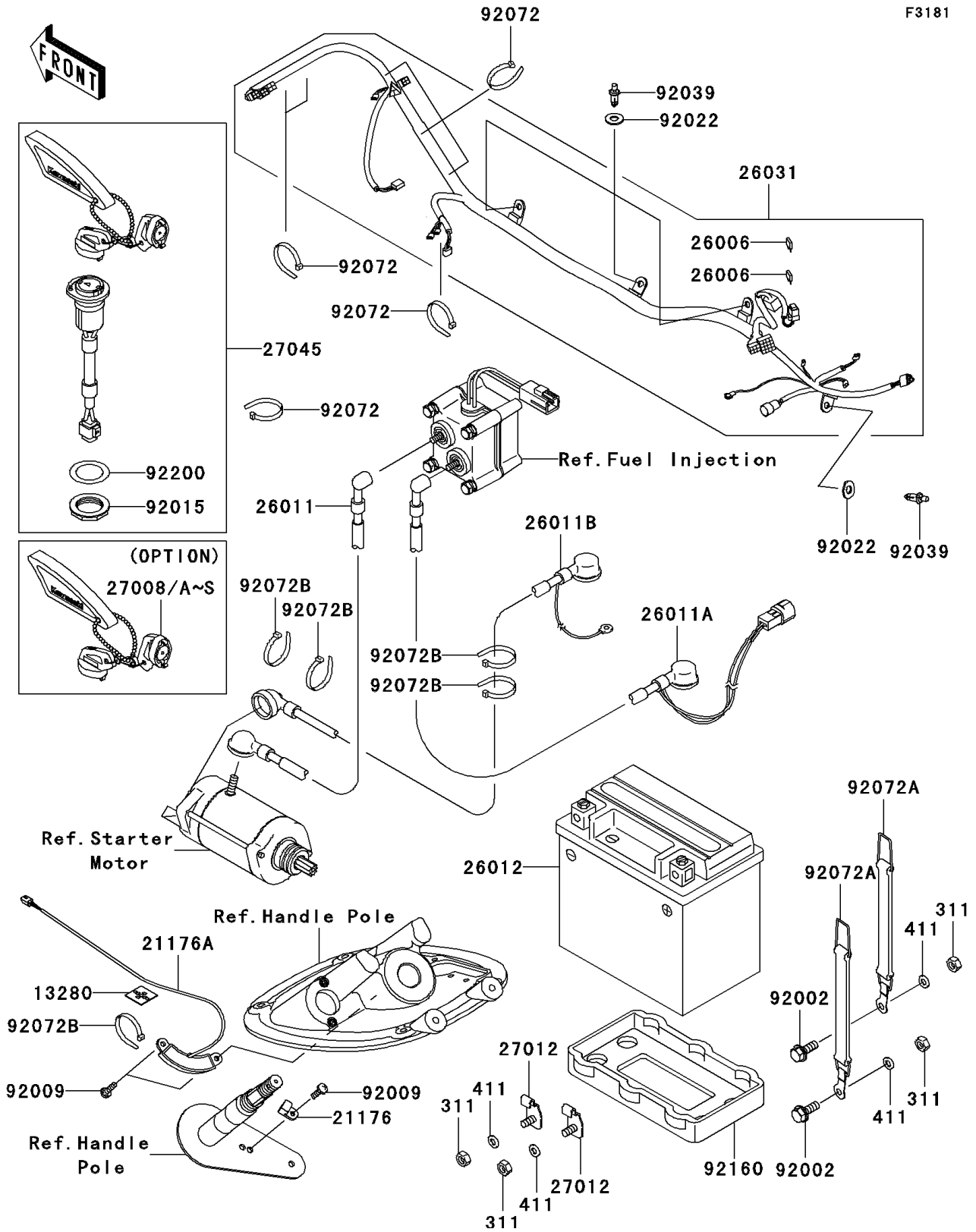


## 2005 STX-12F PARTS DIAGRAM

Electrical Equipment

F3181



## 2005 STX-12F PARTS LIST

Electrical Equipment

ITEM NAME	PART NUMBER	QUANTITY
HOLDER (Ref # 13280)	13280-3739	1
SENSOR,MAGNET (Ref # 21176)	21176-3746	1
SENSOR,HOLE IC (Ref # 21176A)	21176-3748	1
FUSE,20A (Ref # 26006)	26006-3704	1
WIRE-LEAD,RELAY-STARTER (Ref # 26011)	26011-3899	1
WIRE-LEAD,BATTERY(+)-RELAY (Ref # 26011A)	26011-3911	1
WIRE-LEAD,BATTERY(-)-STARTER (Ref # 26011B)	26011-3912	1
BATTERY,YTX20L-BS,12V 18AH (Ref # 26012)	26012-3730	1
HARNESS,MAIN (Ref # 26031)	26031-3716	1
KEY-LOCK,MAGNETIC SW,#3001 (Ref # 27008)	27008-3745	1
KEY-LOCK,MAGNETIC SW,#3002 (Ref # 27008A)	27008-3746	1
KEY-LOCK,MAGNETIC SW,#3003 (Ref # 27008B)	27008-3747	1
KEY-LOCK,MAGNETIC SW,#3004 (Ref # 27008C)	27008-3748	1
KEY-LOCK,MAGNETIC SW,#3005 (Ref # 27008D)	27008-3749	1
KEY-LOCK,MAGNETIC SW,#3006 (Ref # 27008E)	27008-3750	1
KEY-LOCK,MAGNETIC SW,#3007 (Ref # 27008F)	27008-3751	1
KEY-LOCK,MAGNETIC SW,#3008 (Ref # 27008G)	27008-3752	1
KEY-LOCK,MAGNETIC SW,#3009 (Ref # 27008H)	27008-3753	1
KEY-LOCK,MAGNETIC SW,#3010 (Ref # 27008I)	27008-3754	1
KEY-LOCK,MAGNETIC SW,#3011 (Ref # 27008J)	27008-3755	1
KEY-LOCK,MAGNETIC SW,#3012 (Ref # 27008K)	27008-3756	1
KEY-LOCK,MAGNETIC SW,#3013 (Ref # 27008L)	27008-3757	1
KEY-LOCK,MAGNETIC SW,#3014 (Ref # 27008M)	27008-3758	1
KEY-LOCK,MAGNETIC SW,#3015 (Ref # 27008N)	27008-3759	1
KEY-LOCK,MAGNETIC SW,#3016 (Ref # 27008O)	27008-3760	1
KEY-LOCK,MAGNETIC SW,#3017 (Ref # 27008P)	27008-3761	1
KEY-LOCK,MAGNETIC SW,#3018 (Ref # 27008Q)	27008-3762	1
KEY-LOCK,MAGNETIC SW,#3019 (Ref # 27008R)	27008-3763	1
KEY-LOCK,MAGNETIC SW,#3020 (Ref # 27008S)	27008-3764	1

## 2005 STX-12F PARTS LIST

Electrical Equipment

ITEM NAME	PART NUMBER	QUANTITY
HOOK (Ref # 27012)	27012-3818	1
SWITCH-ASSY,MAIN (Ref # 27045)	27045-3716	1
NUT-HEX,6MM (Ref # 311)	311R0600	1
WASHER-PLAIN,6MM (Ref # 411)	411S0600	1
BOLT,6X16 (Ref # 92002)	92002-3728	1
SCREW,5X16 (Ref # 92009)	92009-3868	1
NUT (Ref # 92015)	92015-3848	1
WASHER,8.2X18X1.5 (Ref # 92022)	92022-3743	1
RIVET (Ref # 92039)	92039-1283	1
BAND,L=188 (Ref # 92072)	92072-1239	1
BAND,WATER MUFFLER (Ref # 92072A)	92072-3781	1
BAND,L=99 (Ref # 92072B)	92072-3871	1
DAMPER (Ref # 92160)	92160-3929	1
WASHER (Ref # 92200)	92200-3736	1