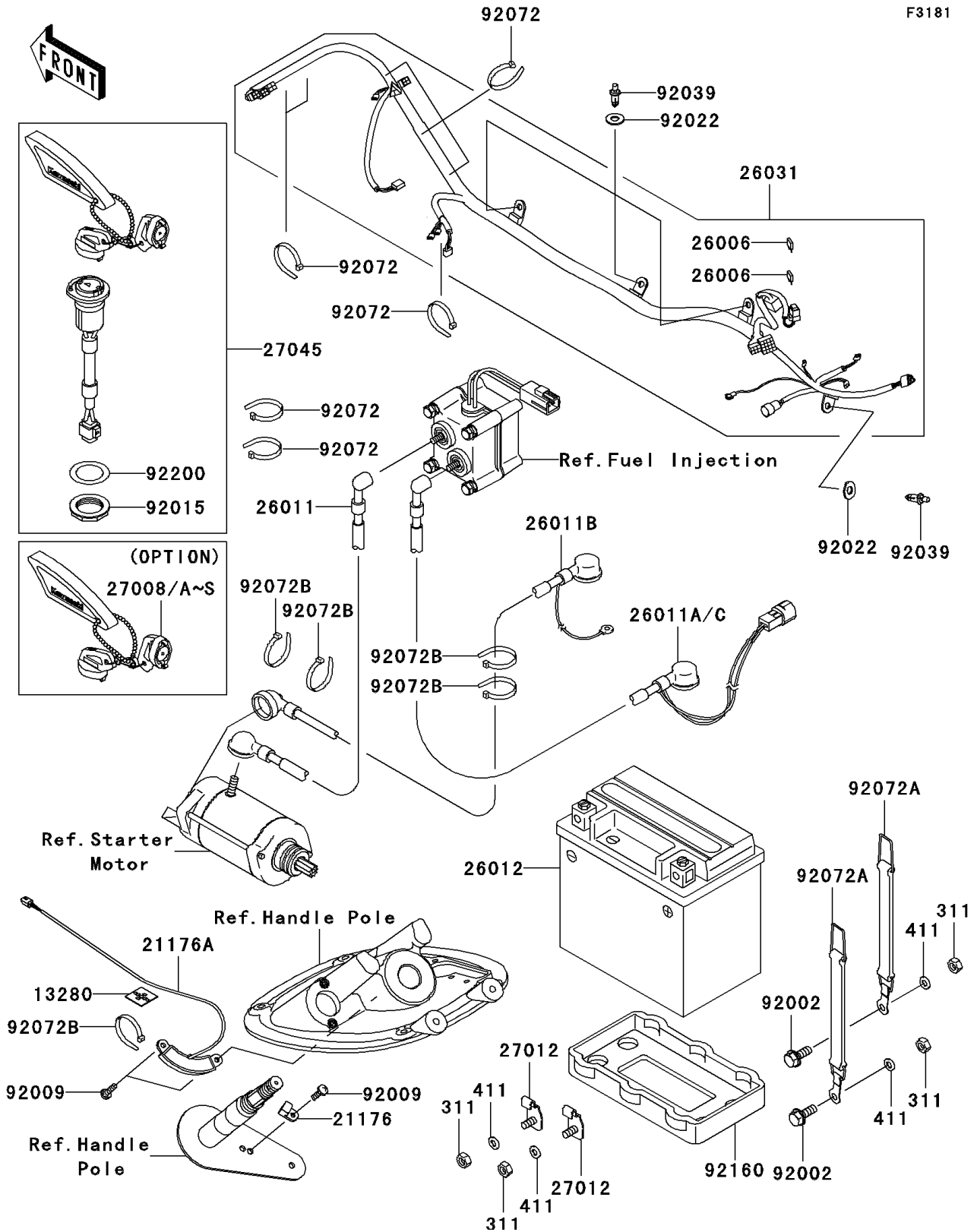


2007 STX-12F PARTS DIAGRAM

Electrical Equipment

F3181



2007 STX-12F PARTS LIST

Electrical Equipment

| ITEM NAME | PART NUMBER | QUANTITY |
|---|-------------|----------|
| HOLDER (Ref # 13280) | 13280-3739 | 1 |
| SENSOR,MAGNET (Ref # 21176) | 21176-3746 | 1 |
| SENSOR,HOLE IC (Ref # 21176A) | 21176-3748 | 1 |
| FUSE,20A (Ref # 26006) | 26006-3704 | 1 |
| WIRE-LEAD,RELAY-STARTER (Ref # 26011) | 26011-3899 | 1 |
| WIRE-LEAD,BATTERY(-)-STARTER (Ref # 26011B) | 26011-3912 | 1 |
| WIRE-LEAD,BATTERY(+)-RELAY (Ref # 26011C) | 26011-3926 | 1 |
| BATTERY,YTX20L-BS,12V 18AH (Ref # 26012) | 26012-3730 | 1 |
| HARNESS,MAIN (Ref # 26031) | 26031-3716 | 1 |
| KEY-LOCK,MAGNETIC SW,#3001 (Ref # 27008) | 27008-3745 | 1 |
| KEY-LOCK,MAGNETIC SW,#3002 (Ref # 27008A) | 27008-3746 | 1 |
| KEY-LOCK,MAGNETIC SW,#3003 (Ref # 27008B) | 27008-3747 | 1 |
| KEY-LOCK,MAGNETIC SW,#3004 (Ref # 27008C) | 27008-3748 | 1 |
| KEY-LOCK,MAGNETIC SW,#3005 (Ref # 27008D) | 27008-3749 | 1 |
| KEY-LOCK,MAGNETIC SW,#3006 (Ref # 27008E) | 27008-3750 | 1 |
| KEY-LOCK,MAGNETIC SW,#3007 (Ref # 27008F) | 27008-3751 | 1 |
| KEY-LOCK,MAGNETIC SW,#3008 (Ref # 27008G) | 27008-3752 | 1 |
| KEY-LOCK,MAGNETIC SW,#3009 (Ref # 27008H) | 27008-3753 | 1 |
| KEY-LOCK,MAGNETIC SW,#3010 (Ref # 27008I) | 27008-3754 | 1 |
| KEY-LOCK,MAGNETIC SW,#3011 (Ref # 27008J) | 27008-3755 | 1 |
| KEY-LOCK,MAGNETIC SW,#3012 (Ref # 27008K) | 27008-3756 | 1 |
| KEY-LOCK,MAGNETIC SW,#3013 (Ref # 27008L) | 27008-3757 | 1 |
| KEY-LOCK,MAGNETIC SW,#3014 (Ref # 27008M) | 27008-3758 | 1 |
| KEY-LOCK,MAGNETIC SW,#3015 (Ref # 27008N) | 27008-3759 | 1 |
| KEY-LOCK,MAGNETIC SW,#3016 (Ref # 27008O) | 27008-3760 | 1 |
| KEY-LOCK,MAGNETIC SW,#3017 (Ref # 27008P) | 27008-3761 | 1 |
| KEY-LOCK,MAGNETIC SW,#3018 (Ref # 27008Q) | 27008-3762 | 1 |
| KEY-LOCK,MAGNETIC SW,#3019 (Ref # 27008R) | 27008-3763 | 1 |
| KEY-LOCK,MAGNETIC SW,#3020 (Ref # 27008S) | 27008-3764 | 1 |

2007 STX-12F PARTS LIST

Electrical Equipment

| ITEM NAME | PART NUMBER | QUANTITY |
|-----------------------------------|-------------|----------|
| HOOK (Ref # 27012) | 27012-3818 | 1 |
| SWITCH-ASSY,MAIN (Ref # 27045) | 27045-3716 | 1 |
| NUT-HEX,6MM (Ref # 311) | 311R0600 | 1 |
| WASHER-PLAIN,6MM (Ref # 411) | 411S0600 | 1 |
| BOLT,6X16 (Ref # 92002) | 92002-3728 | 1 |
| SCREW,5X16 (Ref # 92009) | 92009-3868 | 1 |
| NUT (Ref # 92015) | 92015-3848 | 1 |
| WASHER,8.2X18X1.5 (Ref # 92022) | 92022-3743 | 1 |
| RIVET (Ref # 92039) | 92039-1283 | 1 |
| BAND,L=188 (Ref # 92072) | 92072-1239 | 1 |
| BAND,WATER MUFFLER (Ref # 92072A) | 92072-3781 | 1 |
| BAND,L=99 (Ref # 92072B) | 92072-3871 | 1 |
| DAMPER (Ref # 92160) | 92160-3929 | 1 |
| WASHER (Ref # 92200) | 92200-3736 | 1 |