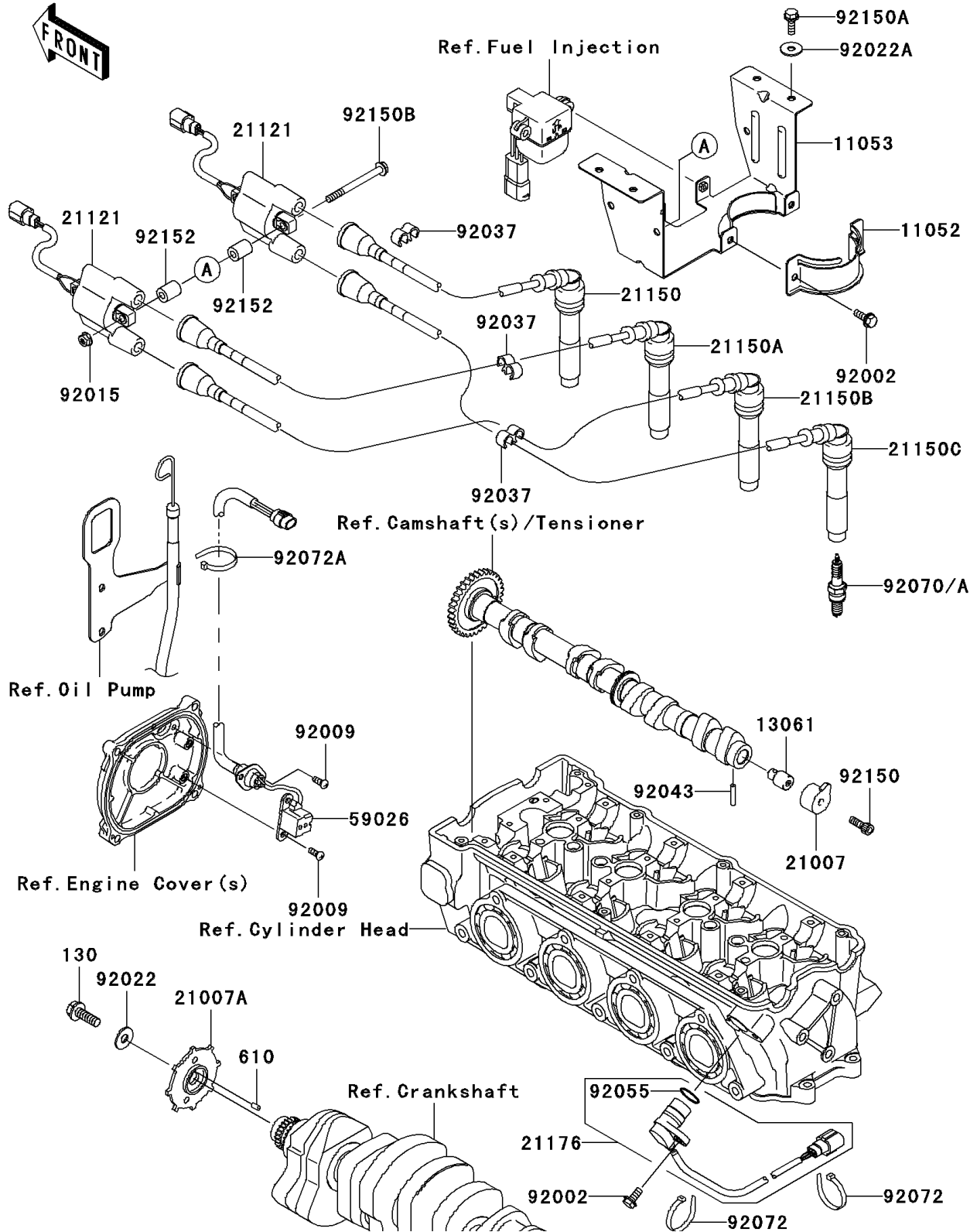


2007 STX-12F PARTS DIAGRAM

Ignition System

E1830



2007 STX-12F PARTS LIST

Ignition System

| ITEM NAME | PART NUMBER | QUANTITY |
|--------------------------------------|-------------|----------|
| BRACKET,FILTER (Ref # 11052) | 11052-3762 | 1 |
| BRACKET (Ref # 11053) | 11053-3783 | 1 |
| BOLT-FLANGED,8X25 (Ref # 130) | 130Z0825 | 1 |
| BOSS,CAM SENSOR (Ref # 13061) | 13061-1687 | 1 |
| ROTOR (Ref # 21007) | 21007-1356 | 1 |
| ROTOR,PULSING (Ref # 21007A) | 21007-3730 | 1 |
| COIL-IGNITION (Ref # 21121) | 21121-3722 | 1 |
| CORD-ASSY,#1 (Ref # 21150) | 21150-3707 | 1 |
| CORD-ASSY,#2 (Ref # 21150A) | 21150-3708 | 1 |
| CORD-ASSY,#3 (Ref # 21150B) | 21150-3709 | 1 |
| CORD-ASSY,#4 (Ref # 21150C) | 21150-3710 | 1 |
| SENSOR,TEMP (Ref # 21176) | 21176-1077 | 1 |
| COIL-PULSING (Ref # 59026) | 59026-3702 | 1 |
| ROLLER,4X8 (Ref # 610) | 610A0408 | 1 |
| BOLT,6X16 (Ref # 92002) | 92002-3728 | 1 |
| SCREW,5X12 (Ref # 92009) | 92009-1296 | 1 |
| NUT,6MM (Ref # 92015) | 92015-3767 | 1 |
| WASHER,PLAIN (Ref # 92022) | 92022-3026 | 1 |
| WASHER,6.5X20X1.5 (Ref # 92022A) | 92022-3710 | 1 |
| CLAMP,HOSE (Ref # 92037) | 92037-1603 | 1 |
| PIN (Ref # 92043) | 92043-1575 | 1 |
| RING-O (Ref # 92055) | 92055-1639 | 1 |
| PLUG-SPARK,CR9EK(NGK) (Ref # 92070) | 92070-1264 | 1 |
| PLUG-SPARK,CR8EK(NGK) (Ref # 92070A) | 92070-1265 | 1 |
| BAND,L=188 (Ref # 92072) | 92072-1239 | 1 |
| BAND (Ref # 92072A) | 92072-3874 | 1 |
| BOLT,6X18 (Ref # 92150) | 92150-1645 | 1 |
| BOLT,6X18 (Ref # 92150A) | 92150-3729 | 1 |
| BOLT,6X70 (Ref # 92150B) | 92150-3753 | 1 |

2007 STX-12F PARTS LIST

Ignition System

| ITEM NAME | PART NUMBER | QUANTITY |
|----------------------|-------------|----------|
| COLLAR (Ref # 92152) | 92152-3738 | 1 |