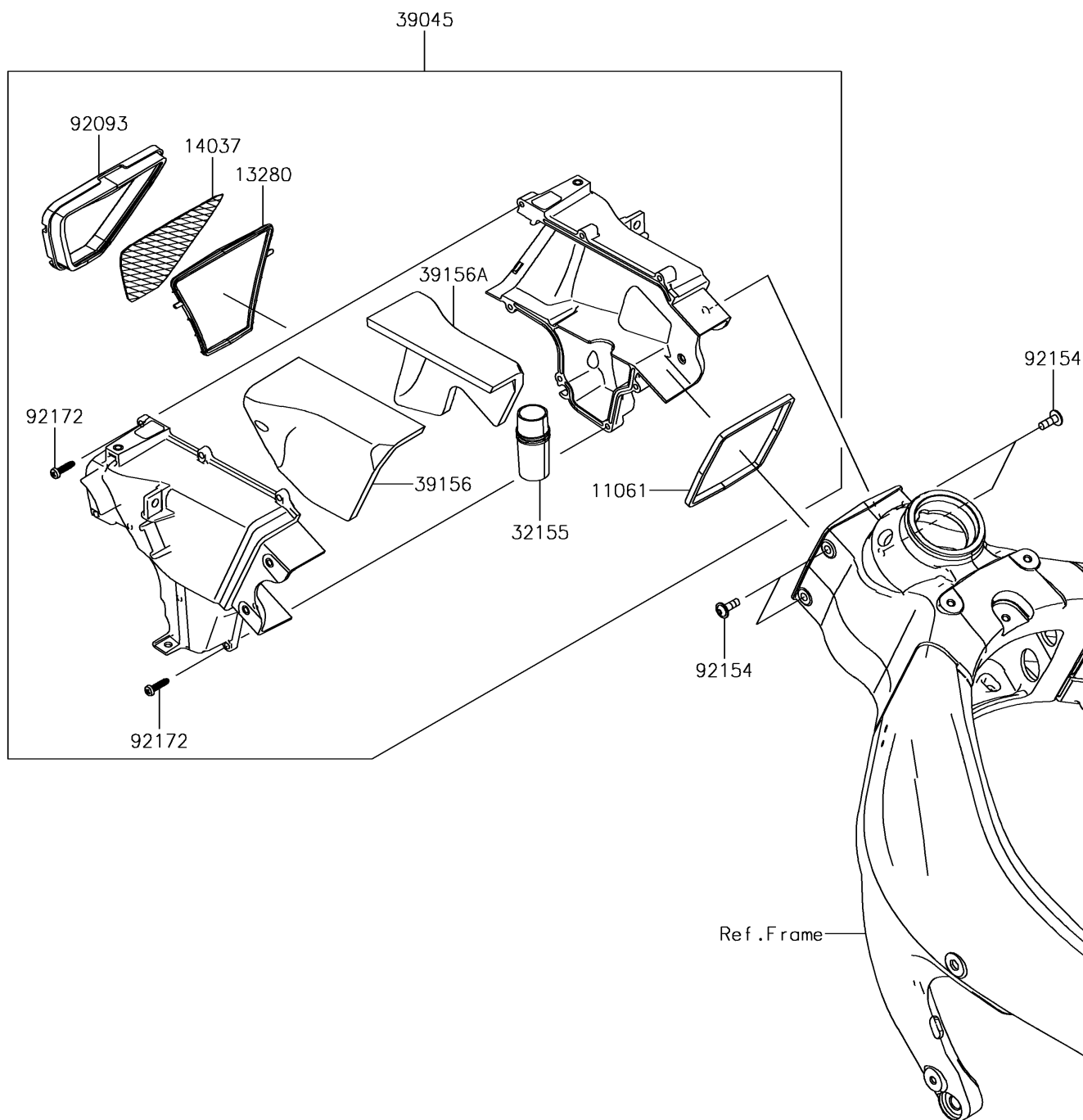


2018 NINJA® ZX™-6R KRT EDITION PARTS DIAGRAM

Air Duct

E1131



2018 NINJA® ZX™-6R KRT EDITION PARTS LIST

Air Duct

ITEM NAME	PART NUMBER	QUANTITY
GASKET (Ref # 11061)	11061-0825	1
HOLDER,DUST (Ref # 13280)	13280-0757	1
SCREEN (Ref # 14037)	14037-0746	1
PIPE (Ref # 32155)	32155-1275	1
DUCT-ASSY, RAM AIR (Ref # 39045)	39045-0057	1
PAD,LH (Ref # 39156)	39156-0901	1
PAD,RH (Ref # 39156A)	39156-0902	1
SEAL (Ref # 92093)	92093-0589	1
BOLT, FLANGED, BUTTON, 6X18 (Ref # 92154)	92154-1882	1
SCREW, TAPPING, 5X20 (Ref # 92172)	92172-0009	1