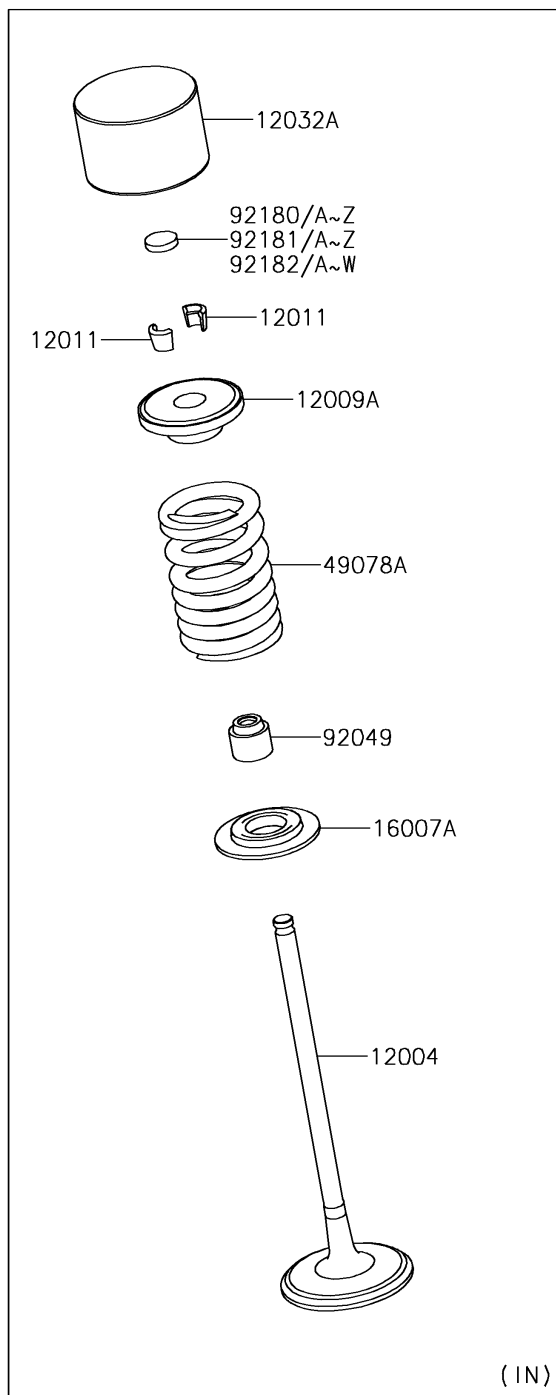
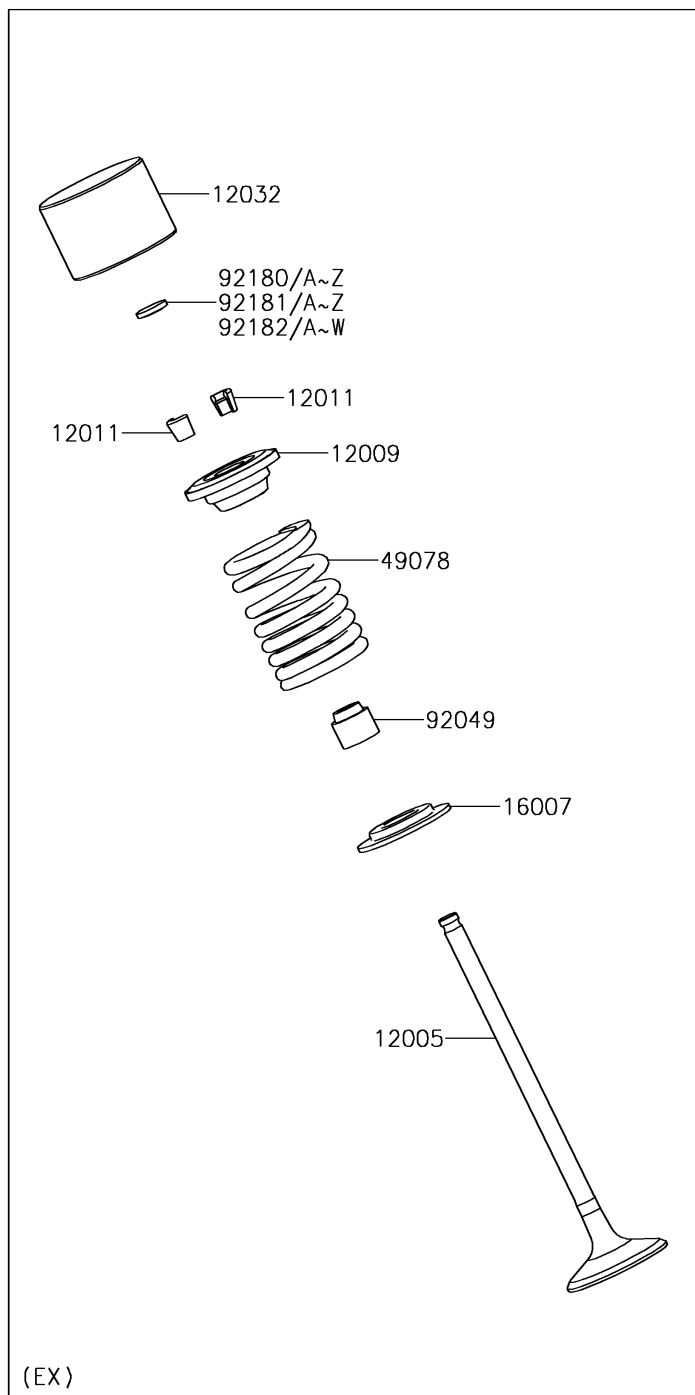


2018 NINJA® ZX™-10R ABS PARTS DIAGRAM

Valve(s)

E1210



2018 NINJA® ZX™-10R ABS PARTS LIST

Valve(s)

ITEM NAME	PART NUMBER	QUANTITY
VALVE-INTAKE (Ref # 12004)	12004-0738	1
VALVE-EXHAUST (Ref # 12005)	12005-0758	1
RETAINER-VALVE SPRING,EX (Ref # 12009)	12009-0028	1
RETAINER-VALVE SPRING,IN (Ref # 12009A)	12009-0708	1
COLLET (Ref # 12011)	12011-1053	1
TAPPET,D26.5,EX (Ref # 12032)	12032-0013	1
TAPPET,IN (Ref # 12032A)	12032-0015	1
SEAT-SPRING,EX (Ref # 16007)	16007-0003	1
SEAT-SPRING,IN (Ref # 16007A)	16007-0044	1
SPRING-ENGINE VALVE,EX (Ref # 49078)	49078-0729	1
SPRING-ENGINE VALVE,IN (Ref # 49078A)	49078-0730	1
SEAL-OIL,VS 4.3 7.5 5.3 8.3 (Ref # 92049)	92049-1349	1
SHIM,T=1.300 (Ref # 92180)	92180-0108	1
SHIM,T=1.325 (Ref # 92180A)	92180-0109	1
SHIM,T=1.350 (Ref # 92180B)	92180-0110	1
SHIM,T=1.375 (Ref # 92180C)	92180-0865	1
SHIM,T=1.388 (Ref # 92180D)	92180-0866	1
SHIM,T=1.400 (Ref # 92180E)	92180-0867	1
SHIM,T=1.413 (Ref # 92180F)	92180-0868	1
SHIM,T=1.425 (Ref # 92180G)	92180-0869	1
SHIM,T=1.438 (Ref # 92180H)	92180-0870	1
SHIM,T=1.450 (Ref # 92180I)	92180-0871	1
SHIM,T=1.463 (Ref # 92180J)	92180-0872	1
SHIM,T=1.475 (Ref # 92180K)	92180-0873	1
SHIM,T=1.488 (Ref # 92180L)	92180-0874	1
SHIM,T=1.500 (Ref # 92180M)	92180-0875	1
SHIM,T=1.513 (Ref # 92180N)	92180-0876	1
SHIM,T=1.525 (Ref # 92180O)	92180-0877	1
SHIM,T=1.538 (Ref # 92180P)	92180-0878	1

2018 NINJA® ZX™-10R ABS PARTS LIST

Valve(s)

ITEM NAME	PART NUMBER	QUANTITY
SHIM,T=1.550 (Ref # 92180Q)	92180-0879	1
SHIM,T=1.563 (Ref # 92180R)	92180-0880	1
SHIM,T=1.575 (Ref # 92180S)	92180-0881	1
SHIM,T=1.588 (Ref # 92180T)	92180-0882	1
SHIM,T=1.600 (Ref # 92180U)	92180-0883	1
SHIM,T=1.613 (Ref # 92180V)	92180-0884	1
SHIM,T=1.625 (Ref # 92180W)	92180-0885	1
SHIM,T=1.638 (Ref # 92180X)	92180-0886	1
SHIM,T=1.650 (Ref # 92180Y)	92180-0887	1
SHIM,T=1.663 (Ref # 92180Z)	92180-0888	1
SHIM,T=1.675 (Ref # 92181)	92180-0889	1
SHIM,T=1.688 (Ref # 92181A)	92180-0890	1
SHIM,T=1.700 (Ref # 92181B)	92180-0891	1
SHIM,T=1.713 (Ref # 92181C)	92180-0892	1
SHIM,T=1.725 (Ref # 92181D)	92180-0893	1
SHIM,T=1.738 (Ref # 92181E)	92180-0894	1
SHIM,T=1.750 (Ref # 92181F)	92180-0895	1
SHIM,T=1.763 (Ref # 92181G)	92180-0896	1
SHIM,T=1.775 (Ref # 92181H)	92180-0897	1
SHIM,T=1.788 (Ref # 92181I)	92180-0898	1
SHIM,T=1.800 (Ref # 92181J)	92180-0899	1
SHIM,T=1.813 (Ref # 92181K)	92180-0900	1
SHIM,T=1.825 (Ref # 92181L)	92180-0901	1
SHIM,T=1.838 (Ref # 92181M)	92180-0902	1
SHIM,T=1.850 (Ref # 92181N)	92180-0903	1
SHIM,T=1.863 (Ref # 92181O)	92180-0904	1
SHIM,T=1.875 (Ref # 92181P)	92180-0905	1
SHIM,T=1.888 (Ref # 92181Q)	92180-0906	1
SHIM,T=1.900 (Ref # 92181R)	92180-0907	1

2018 NINJA® ZX™-10R ABS PARTS LIST

Valve(s)

ITEM NAME	PART NUMBER	QUANTITY
SHIM,T=1.913 (Ref # 92181S)	92180-0908	1
SHIM,T=1.925 (Ref # 92181T)	92180-0909	1
SHIM,T=1.938 (Ref # 92181U)	92180-0910	1
SHIM,T=1.950 (Ref # 92181V)	92180-0911	1
SHIM,T=1.963 (Ref # 92181W)	92180-0912	1
SHIM,T=1.975 (Ref # 92181X)	92180-0913	1
SHIM,T=1.988 (Ref # 92181Y)	92180-0914	1
SHIM,T=2.000 (Ref # 92181Z)	92180-0915	1
SHIM,T=2.013 (Ref # 92182)	92180-0916	1
SHIM,T=2.025 (Ref # 92182A)	92180-0917	1
SHIM,T=2.038 (Ref # 92182B)	92180-0918	1
SHIM,T=2.050 (Ref # 92182C)	92180-0919	1
SHIM,T=2.063 (Ref # 92182D)	92180-0920	1
SHIM,T=2.075 (Ref # 92182E)	92180-0921	1
SHIM,T=2.088 (Ref # 92182F)	92180-0922	1
SHIM,T=2.100 (Ref # 92182G)	92180-0923	1
SHIM,T=2.113 (Ref # 92182H)	92180-0924	1
SHIM,T=2.125 (Ref # 92182I)	92180-0925	1
SHIM,T=2.138 (Ref # 92182J)	92180-0926	1
SHIM,T=2.150 (Ref # 92182K)	92180-0927	1
SHIM,T=2.163 (Ref # 92182L)	92180-0928	1
SHIM,T=2.175 (Ref # 92182M)	92180-0929	1
SHIM,T=2.188 (Ref # 92182N)	92180-0930	1
SHIM,T=2.200 (Ref # 92182O)	92180-0931	1
SHIM,T=2.213 (Ref # 92182P)	92180-0932	1
SHIM,T=2.225 (Ref # 92182Q)	92180-0933	1
SHIM,T=2.238 (Ref # 92182R)	92180-0934	1
SHIM,T=2.250 (Ref # 92182S)	92180-0935	1
SHIM,T=2.263 (Ref # 92182T)	92180-0936	1

2018 NINJA® ZX™-10R ABS PARTS LIST

Valve(s)

ITEM NAME	PART NUMBER	QUANTITY
SHIM,T=2.275 (Ref # 92182U)	92180-0937	1
SHIM,T=2.288 (Ref # 92182V)	92180-0938	1
SHIM,T=2.300 (Ref # 92182W)	92180-0939	1