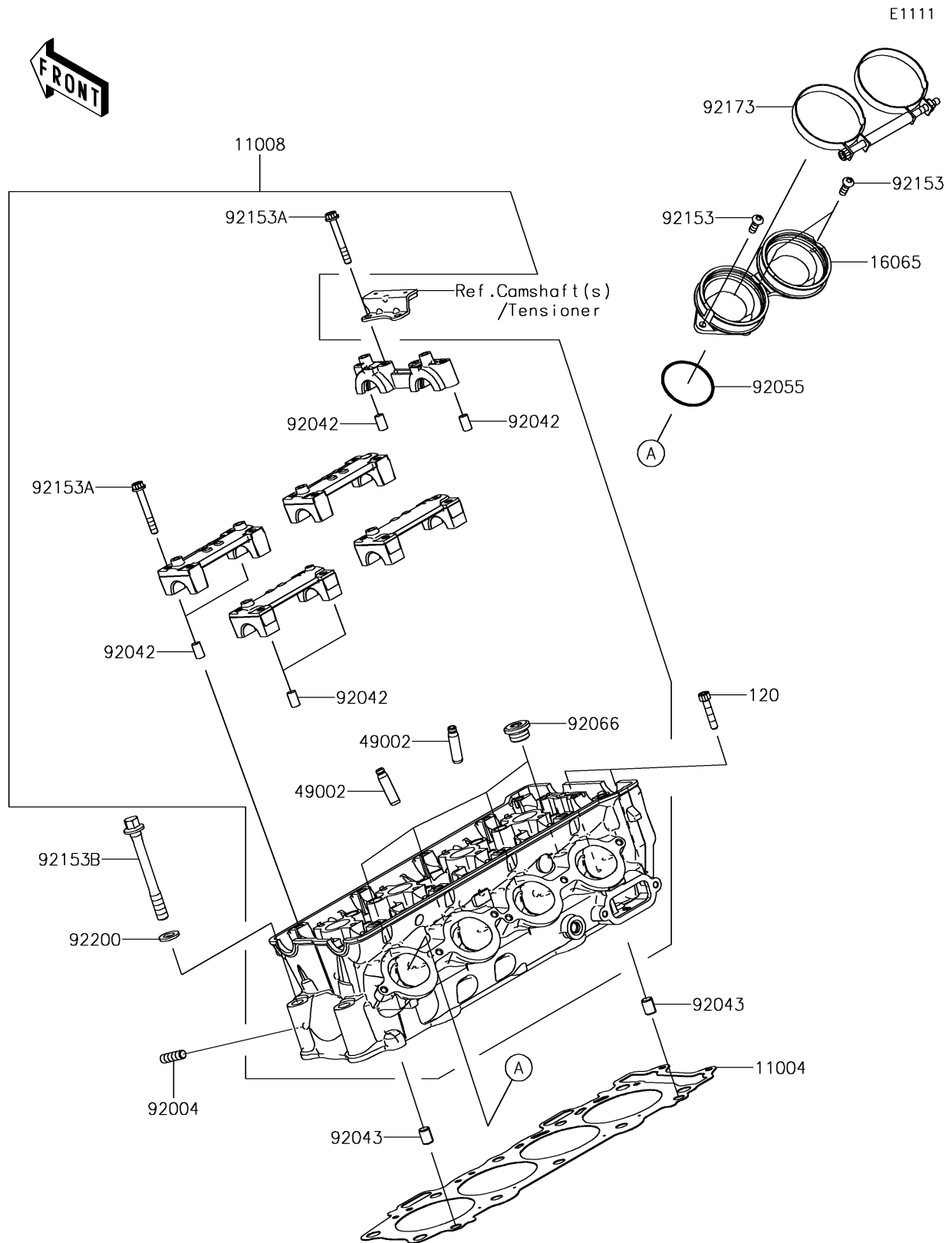


2018 NINJA® ZX™-10R ABS PARTS DIAGRAM

Cylinder Head



2018 NINJA® ZX™-10R ABS PARTS LIST

Cylinder Head

ITEM NAME	PART NUMBER	QUANTITY
GASKET-HEAD (Ref # 11004)	11004-0759	1
HEAD-COMP-CYLINDER (Ref # 11008)	11008-0869	1
BOLT-SOCKET,6X30 (Ref # 120)	120CD0630	1
HOLDER-CARBURETOR (Ref # 16065)	16065-0115	1
GUIDE-VALVE (Ref # 49002)	49002-0009	1
STUD,8X18 (Ref # 92004)	92004-0049	1
PIN,DOWEL,6.3X8X14 (Ref # 92042)	92042-007	1
PIN,8.2X10X14 (Ref # 92043)	92043-1264	1
RING-O,47X1.9 (Ref # 92055)	92055-1600	1
PLUG,18X10 (Ref # 92066)	92066-0832	1
BOLT,TORX,6X18 (Ref # 92153)	92153-0454	1
BOLT,SOCKET,6X45 (Ref # 92153A)	92153-0656	1
BOLT,FLANGED,10X90 (Ref # 92153B)	92153-0893	1
CLAMP (Ref # 92173)	92173-0222	1
WASHER,10.5X19X2.3 (Ref # 92200)	92200-0114	1