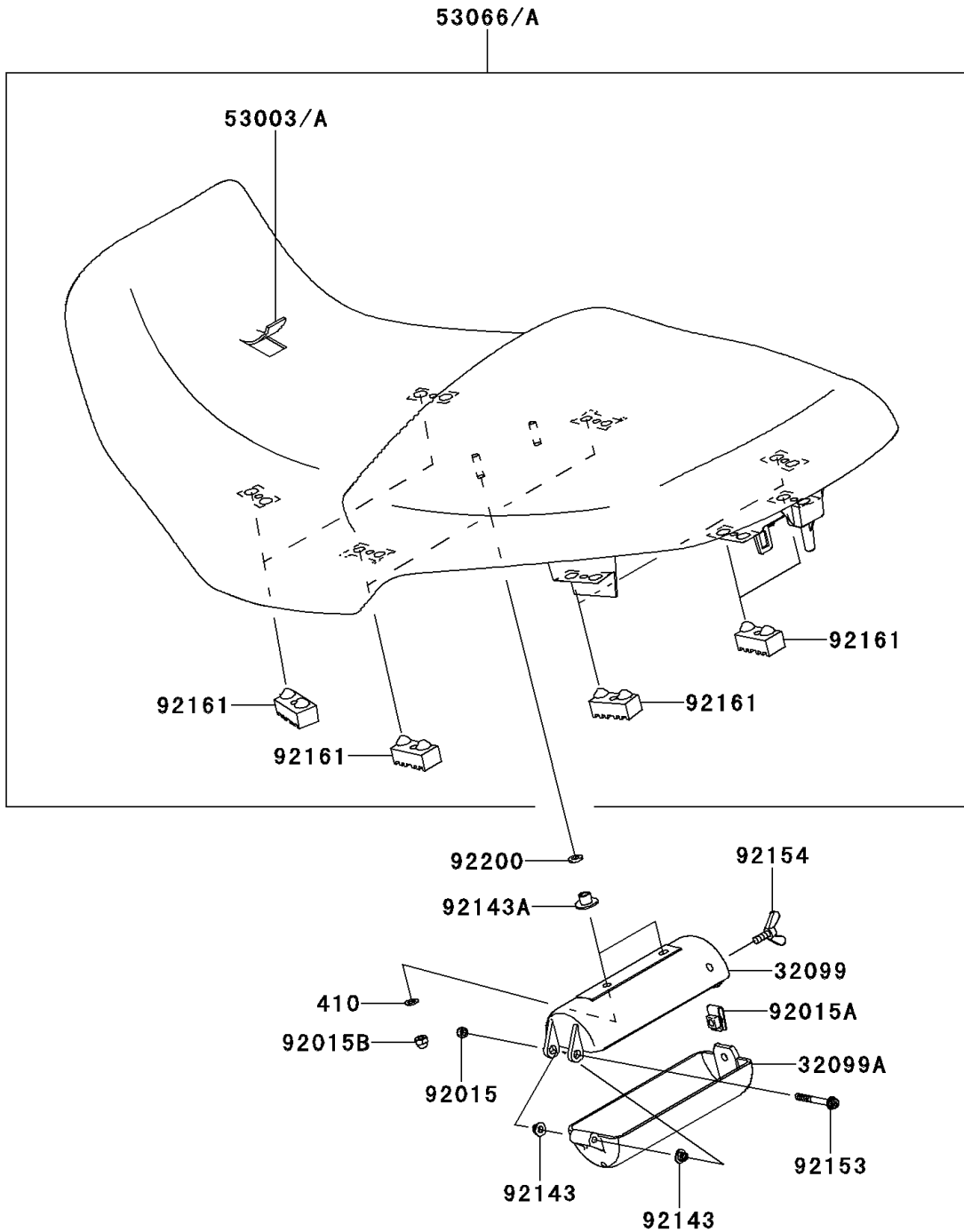


# 2013 VERSYS® 1000 (European) PARTS DIAGRAM

Seat

F2510



## 2013 VERSYS® 1000 (European) PARTS LIST

### Seat

ITEM NAME	PART NUMBER	QUANTITY
WASHER-PLAIN-SMALL,6MM (Ref # 410)	410AB0600	2
CASE,TOOL,BODY (Ref # 32099)	32099-1184	1
CASE,TOOL,CAP (Ref # 32099A)	32099-1185	1
LEATHER,SEAT,BLACK (Ref # 53003)	53003-0330-MA	1
SEAT-ASSY,DUAL,BLACK (Ref # 53066)	53066-0367-MA	1
NUT,LOCK,5MM (Ref # 92015)	92015-1221	1
NUT,6MM (Ref # 92015A)	92015-1602	1
NUT,6MM (Ref # 92015B)	92015-2272	2
COLLAR (Ref # 92143)	92143-1234	2
COLLAR (Ref # 92143A)	92143-1962	2
BOLT,ADJUST,5X45 (Ref # 92153)	92153-1216	1
BOLT,WING,6X15 (Ref # 92154)	92154-1051	1
DAMPER,SEAT (Ref # 92161)	92161-0050	8
WASHER,6.2X12X1.6 (Ref # 92200)	92200-0806	2