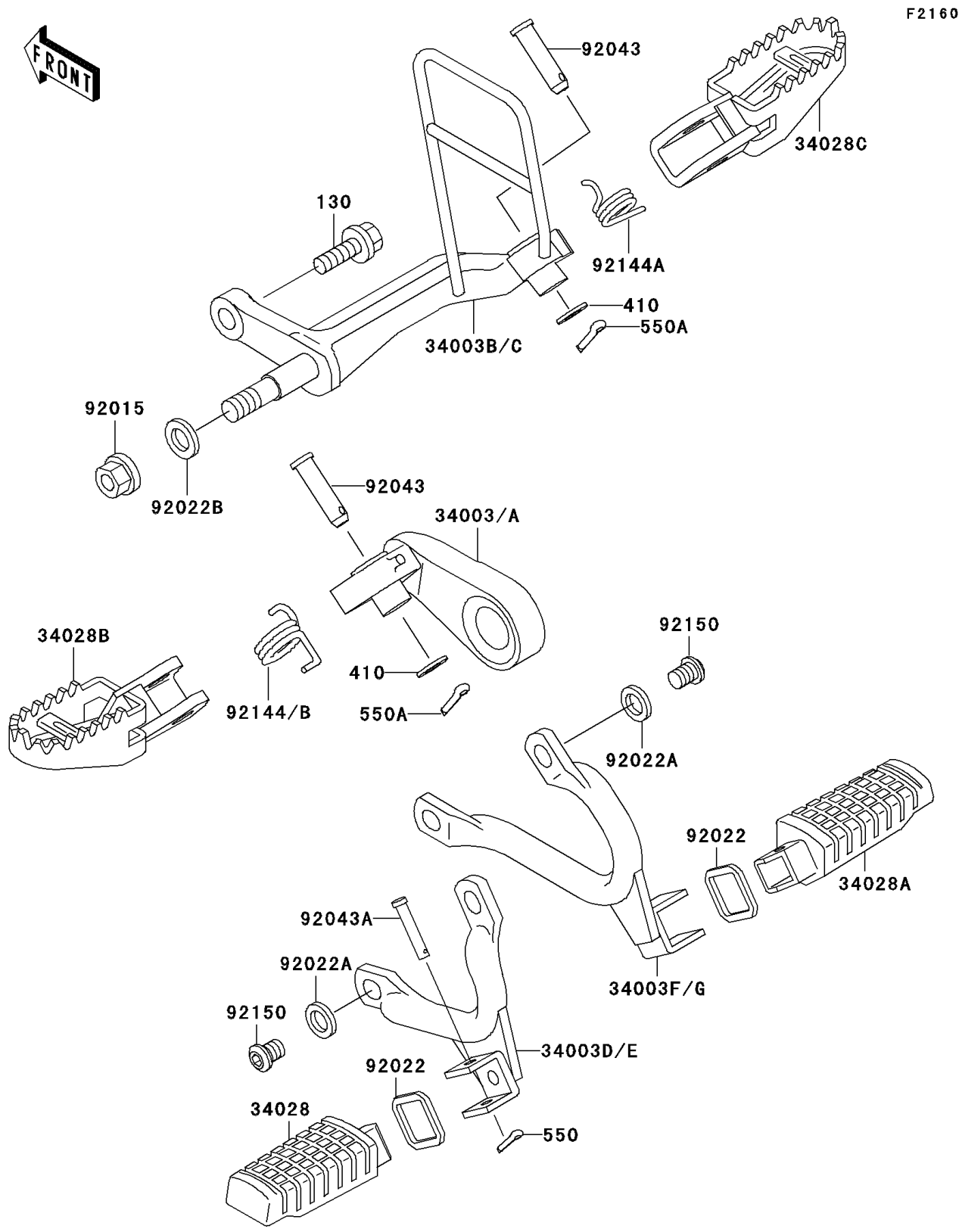


1996 KLX650 PARTS DIAGRAM

Footrests



F2160

1996 KLX650 PARTS LIST

Footrests

| ITEM NAME | PART NUMBER | QUANTITY |
|---|---------------|----------|
| BOLT-FLANGED,10X20 (Ref # 130) | 130P1020 | 1 |
| WASHER-PLAIN-SMALL,8MM (Ref # 410) | 410B0800 | 1 |
| PIN-COTTER,2.0X15 (Ref # 550) | 550D2015 | 1 |
| PIN-COTTER,2.5X15 (Ref # 550A) | 550D2515 | 1 |
| HOLDER-STEP,FR,LH,VIOLET (Ref # 34003A) | 34003-1376-TY | 1 |
| HOLDER-STEP,FR,RH,VIOLET (Ref # 34003C) | 34003-1377-TY | 1 |
| HOLDER-STEP,RR,LH,VIOLET (Ref # 34003E) | 34003-1378-TY | 1 |
| HOLDER-STEP,RR,RH,VIOLET (Ref # 34003G) | 34003-1379-TY | 1 |
| STEP,RR,LH (Ref # 34028) | 34028-1195 | 1 |
| STEP,RR,RH (Ref # 34028A) | 34028-1196 | 1 |
| STEP,FR,LH (Ref # 34028B) | 34028-1361 | 1 |
| STEP,FR,RH (Ref # 34028C) | 34028-1362 | 1 |
| NUT,FLANGED,10MM (Ref # 92015) | 92015-1502 | 1 |
| WASHER,STEP FITTING (Ref # 92022) | 92022-1797 | 1 |
| WASHER,10.2X16X1 (Ref # 92022A) | 92022-1829 | 1 |
| WASHER,10.5X18X2.5 (Ref # 92022B) | 92022-1876 | 1 |
| PIN,8X35.5 (Ref # 92043) | 92043-115 | 1 |
| PIN,6X28 (Ref # 92043A) | 92043-1464 | 1 |
| SPRING,STEP RETURN,RH (Ref # 92144A) | 92144-1685 | 1 |
| SPRING,STEP RETURN,LH (Ref # 92144B) | 92144-1749 | 1 |
| BOLT,SOCKET,10X16 (Ref # 92150) | 92150-1111 | 1 |