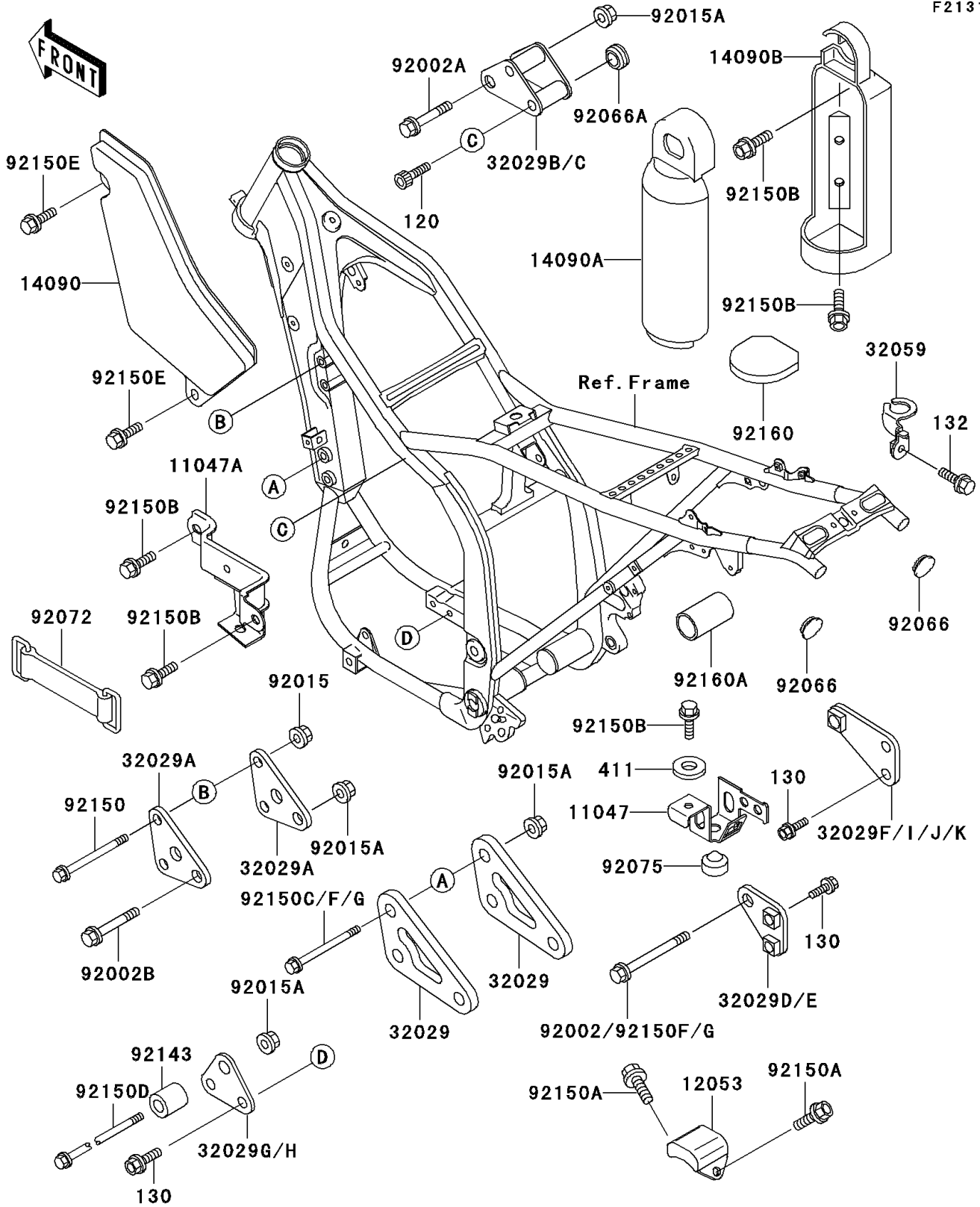


1993 KLX650 PARTS DIAGRAM

Frame Fittings

F2131



1993 KLX650 PARTS LIST

Frame Fittings

| ITEM NAME | PART NUMBER | QUANTITY |
|---|---------------|----------|
| BRACKET,ELECTRIC (Ref # 11047) | 11047-1954 | 1 |
| BRACKET,TOOL BOX (Ref # 11047A) | 11047-1981 | 1 |
| GUIDE-CHAIN (Ref # 12053) | 12053-1310 | 1 |
| COVER,BATTERY (Ref # 14090) | 14090-1298 | 1 |
| COVER,TOOL CASE (Ref # 14090A) | 14090-1301 | 1 |
| COVER,TOOL CASE (Ref # 14090B) | 14090-1302 | 1 |
| BRACKET-ENGINE,FR,LWR (Ref # 32029) | 32029-1840 | 2 |
| BRACKET-ENGINE,FR,UPP (Ref # 32029A) | 32029-1858 | 2 |
| BRACKET-ENGINE,RR,UPP,GREEN (Ref # 32029B) | 32029-1859-KT | 1 |
| BRACKET-ENGINE,RR,LWR,LH,GREEN (Ref # 32029D) | 32029-1882-KT | 1 |
| BRACKET-ENGINE,RR,LWR,RH,GREEN (Ref # 32029F) | 32029-1883-KT | 1 |
| BRACKET-ENGINE,LWR,GREEN (Ref # 32029G) | 32029-1884-KT | 1 |
| BRACKET-ENGINE,RR,LWR,RH,GREEN (Ref # 32029K) | 32029-1899-KT | 1 |
| BRACKET-SWITCH,BRAKE (Ref # 32059) | 32059-1117 | 1 |
| BOLT,10X90 (Ref # 92002) | 92002-1674 | 1 |
| BOLT,FLANGED,10X46 (Ref # 92002A) | 92002-1740 | 1 |
| BOLT,FLANGED,10X53 (Ref # 92002B) | 92002-1936 | 1 |
| NUT,8MM (Ref # 92015) | 92015-1432 | 2 |
| NUT,FLANGED,10MM (Ref # 92015A) | 92015-1502 | 6 |
| PLUG,FRAME END,12X13 (Ref # 92066) | 92066-1034 | 2 |
| PLUG (Ref # 92066A) | 92066-1115 | 2 |
| BAND,BATTERY,L=105 (Ref # 92072) | 92072-1173 | 1 |
| DAMPER (Ref # 92075) | 92075-1927 | 1 |
| COLLAR,10.5X20X16.2 (Ref # 92143) | 92143-1618 | 1 |
| BOLT,FLANGED,8X50 (Ref # 92150) | 92150-1214 | 2 |
| BOLT,6X14 (Ref # 92150A) | 92150-1340 | 2 |
| BOLT,6X12 (Ref # 92150B) | 92150-1435 | 6 |
| BOLT,FLANGED,10X95 (Ref # 92150C) | 92150-1582 | 3 |
| BOLT,FLANGED,10X150 (Ref # 92150D) | 92150-1686 | 1 |

1993 KLX650 PARTS LIST

Frame Fittings

| ITEM NAME | PART NUMBER | QUANTITY |
|-----------------------------------|-------------|----------|
| BOLT-SOCKET,8X55 (Ref # 120) | 120P0855 | 2 |
| BOLT-FLANGED,8X16 (Ref # 130) | 130G0816 | 6 |
| BOLT-FLANGED-SMALL (Ref # 132) | 132G0612 | 1 |
| WASHER-PLAIN,10MM (Ref # 411) | 411B1000 | 1 |
| BOLT,FLANGED,6X14 (Ref # 92150E) | 92150-1689 | 2 |
| BOLT,FLANGED,10X95 (Ref # 92150G) | 92150-1722 | 4 |
| DAMPER,TOOL CASE (Ref # 92160) | 92160-1403 | 1 |
| DAMPER (Ref # 92160A) | 92160-1456 | 1 |