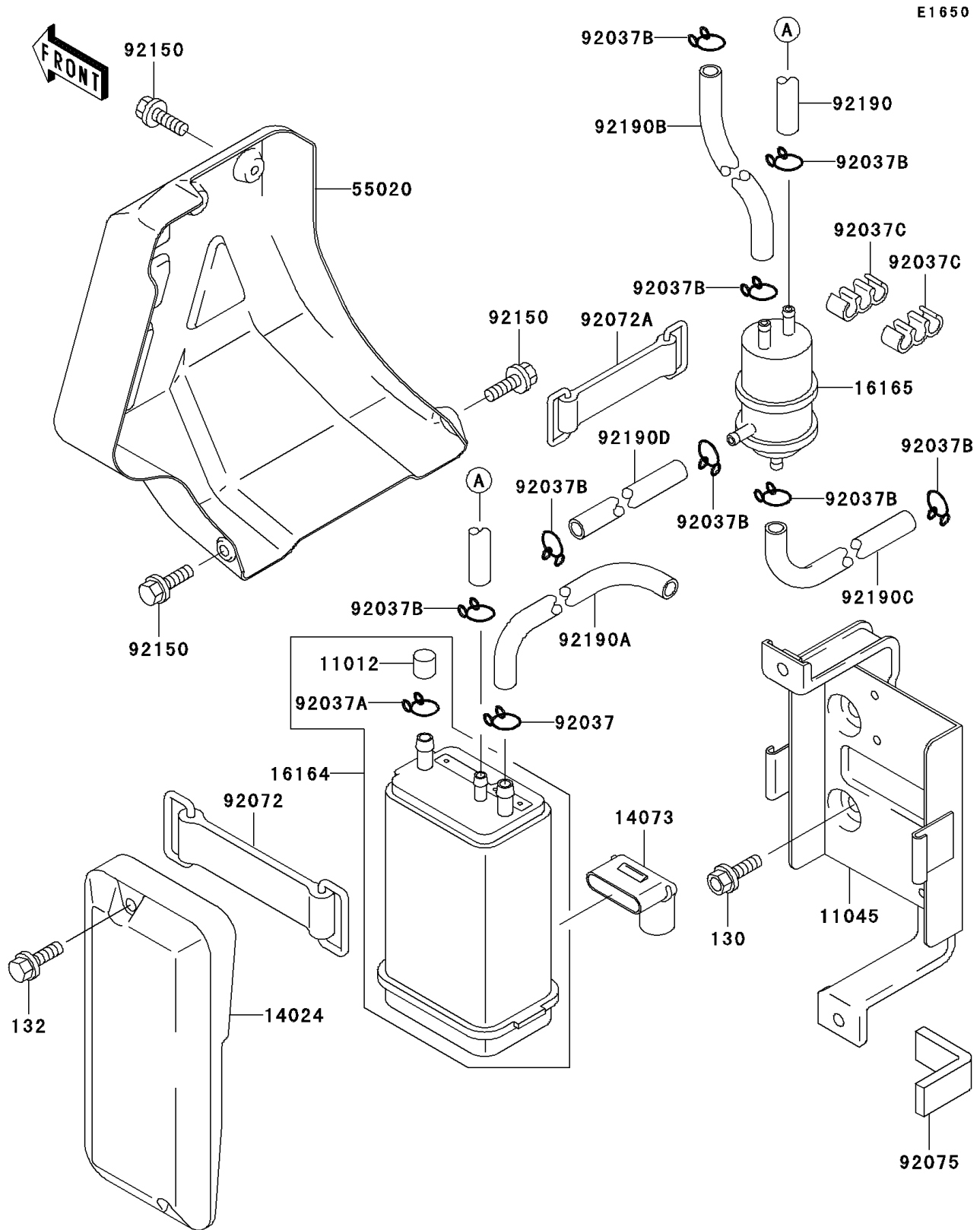


## 1996 KLX650 PARTS DIAGRAM

Fuel Evaporative System



## 1996 KLX650 PARTS LIST

Fuel Evaporative System

ITEM NAME	PART NUMBER	QUANTITY
BOLT-FLANGED (Ref # 130)	130J0612	1
BOLT-FLANGED-SMALL (Ref # 132)	132G0608	1
CAP,CANISTER (Ref # 11012)	11012-1388	1
BRACKET,CANISTER (Ref # 11045)	11045-1416	1
COVER,CANISTER (Ref # 14024)	14024-1401	1
DUCT,CANISTER (Ref # 14073)	14073-1219	1
CANISTER (Ref # 16164)	16164-1054	1
SEPARATOR (Ref # 16165)	16165-1001	1
GUARD,EVAPO,P.WHITE (Ref # 55020)	55020-1482-6F	1
CLAMP,HOSE (Ref # 92037)	92037-1104	1
CLAMP,CANISTER (Ref # 92037A)	92037-1512	1
CLAMP (Ref # 92037B)	92037-1712	1
CLAMP,TUBE (Ref # 92037C)	92037-1941	1
BAND,L=90 (Ref # 92072)	92072-045	1
BAND,L=50 (Ref # 92072A)	92072-066	1
DAMPER (Ref # 92075)	92075-1658	1
BOLT,6X14 (Ref # 92150)	92150-1340	1
TUBE,5X9X220,BLUE (Ref # 92190)	92190-1448	1
TUBE,7X12X860,GREEN (Ref # 92190A)	92190-1449	1
TUBE,5X9X561,BLUE (Ref # 92190B)	92190-1450	1
TUBE,4X9X802,WHITE (Ref # 92190C)	92190-1451	1
TUBE,5X9X581,RED (Ref # 92190D)	92190-1452	1