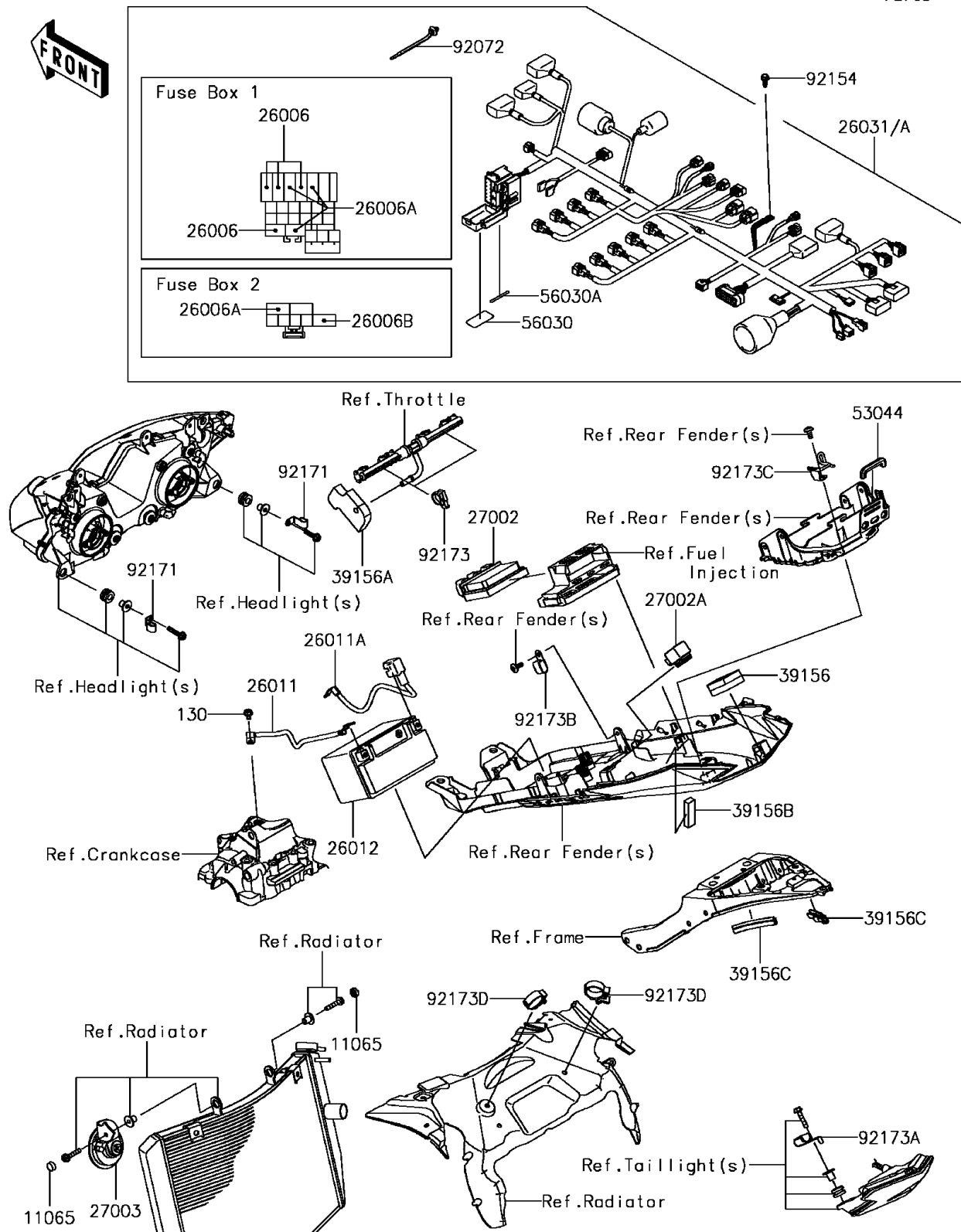


## 2017 Ninja ZX-6R PARTS DIAGRAM

Chassis Electrical Equipment

F2760



## 2017 Ninja ZX-6R PARTS LIST

Chassis Electrical Equipment

ITEM NAME	PART NUMBER	QUANTITY
CAP,BOLT (Ref # 11065)	11065-0752	1
BOLT-FLANGED,6X10 (Ref # 130)	130BA0610	1
FUSE,MINI BLADE,15A,BLUE (Ref # 26006)	26006-0001	1
FUSE,MINI BLADE,7.5A,BROWN (Ref # 26006A)	26006-0055	1
FUSE,MINI BLADE,30A,GREEN (Ref # 26006B)	26006-1080	1
WIRE-LEAD,BATTERY(-) (Ref # 26011)	26011-0776	1
WIRE-LEAD,BATTERY(+) (Ref # 26011A)	26011-0777	1
BATTERY,YTX9-BS,12V 8AH (Ref # 26012)	26012-0088	1
HARNESS,MAIN (Ref # 26031A)	26031-1549	1
RELAY-ASSY,BOX (Ref # 27002)	27002-0025	1
RELAY-ASSY,SIGNAL LAMP (Ref # 27002A)	27002-1097	1
HORN (Ref # 27003)	27003-0091	1
PAD,DIAG. CONNECTOR (Ref # 39156)	39156-0912	1
PAD,T15 (Ref # 39156A)	39156-0962	1
PAD,10X50X15 (Ref # 39156B)	39156-1726	1
PAD,30X80X1.5 (Ref # 39156C)	39156-1983	1
TRIM (Ref # 53044)	53044-0018	1
LABEL,FUSE BOX1 (Ref # 56030)	56030-0796	1
LABEL,FUSE BOX2 (Ref # 56030A)	56030-0797	1
BAND (Ref # 92072)	92072-1392	1
BOLT,FLANGED,6X16 (Ref # 92154)	92154-0551	1
CLAMP (Ref # 92171)	92171-0926	1
CLAMP,SNAPPER (Ref # 92173)	92173-0970	1
CLAMP,84MM (Ref # 92173A)	92173-1008	1
CLAMP,68MM (Ref # 92173B)	92173-1009	1
CLAMP (Ref # 92173C)	92173-1020	1
CLAMP,CABLE,28MM (Ref # 92173D)	92173-1062	1
HARNESS,MAIN (Ref # 26031)	26031-1548	1