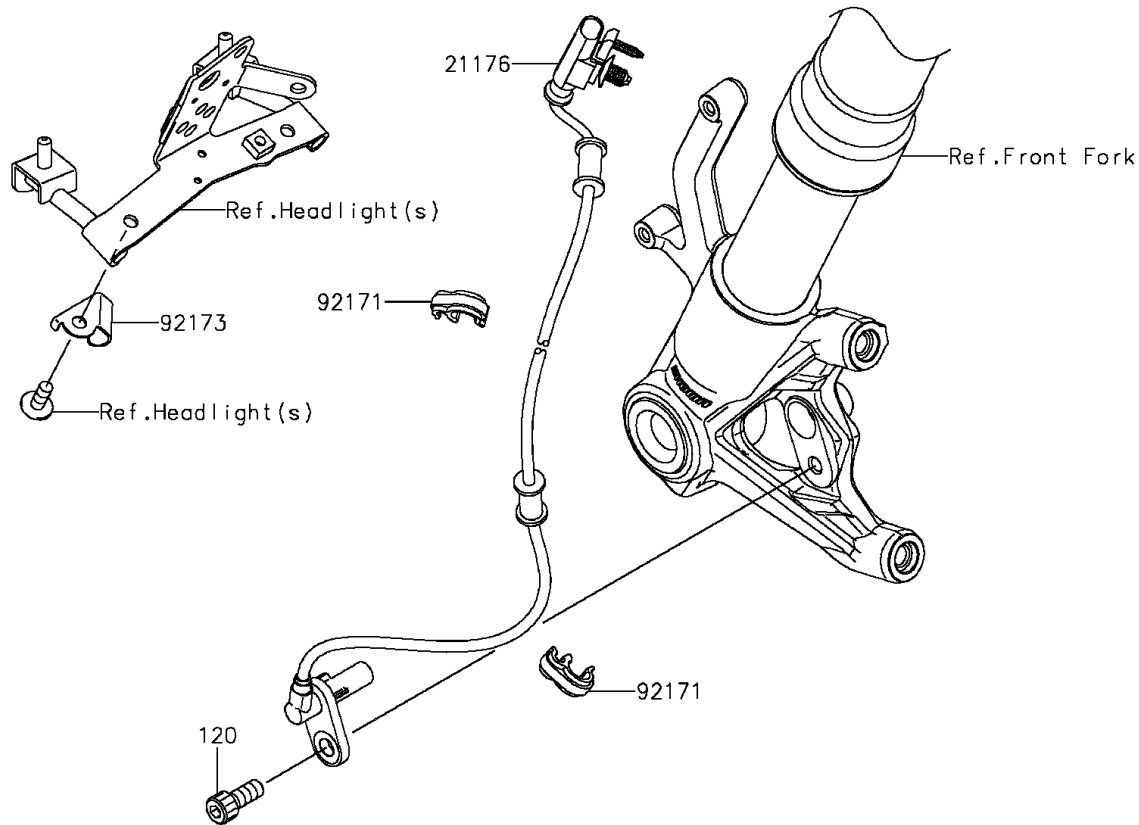
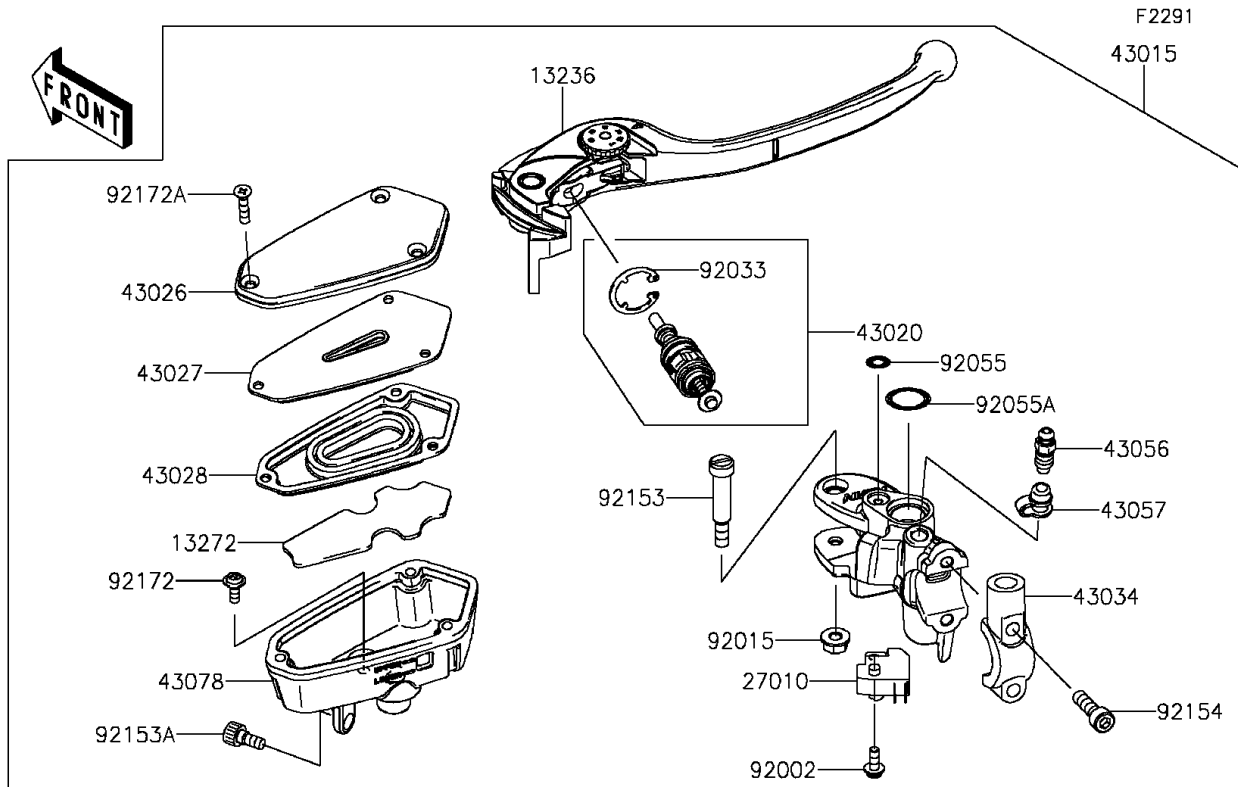


2015 Z1000 ABS PARTS DIAGRAM

Front Master Cylinder



2015 Z1000 ABS PARTS LIST

Front Master Cylinder

ITEM NAME	PART NUMBER	QUANTITY
BOLT-SOCKET,8X20 (Ref # 120)	120CB0820	1
LEVER-COMP (Ref # 13236)	13236-0729	1
PLATE (Ref # 13272)	13272-1719	1
SENSOR,SPEED (Ref # 21176)	21176-0758	1
SWITCH,BRAKE (Ref # 27010)	27010-0025	1
CYLINDER-ASSY-MASTER,FR (Ref # 43015)	43015-0590	1
PISTON-COMP-BRAKE (Ref # 43020)	43020-0020	1
CAP-BRAKE (Ref # 43026)	43026-0011	1
PLATE-DIAPHRAGM (Ref # 43027)	43027-0003	1
DIAPHRAGM (Ref # 43028)	43028-0008	1
HOLDER-BRAKE,MASTER CYLINDER (Ref # 43034)	43034-0057	1
BREATHER-BRAKE (Ref # 43056)	43056-1056	1
CAP-BREATHER (Ref # 43057)	43057-1001	1
RESERVOIR (Ref # 43078)	43078-0569	1
BOLT,SCREW,4X12 (Ref # 92002)	92002-1323	1
NUT,FLANGED,6MM (Ref # 92015)	92015-1528	1
RING-SNAP (Ref # 92033)	92033-0034	1
RING-O (Ref # 92055)	92055-0137	1
RING-O,14.8X2.4 (Ref # 92055A)	92055-0741	1
BOLT,LEVER (Ref # 92153)	92153-0868	1
BOLT,SOCKET,6X12 (Ref # 92153A)	92153-1853	1
BOLT,SOCKET,6X22 (Ref # 92154)	92154-1271	2
CLAMP,BRAKE HOSE (Ref # 92171)	92171-1819	2
SCREW (Ref # 92172)	92172-0319	1
SCREW,4X20 (Ref # 92172A)	92172-0855	3
CLAMP,SPEED SENSOR (Ref # 92173)	92173-1112	1