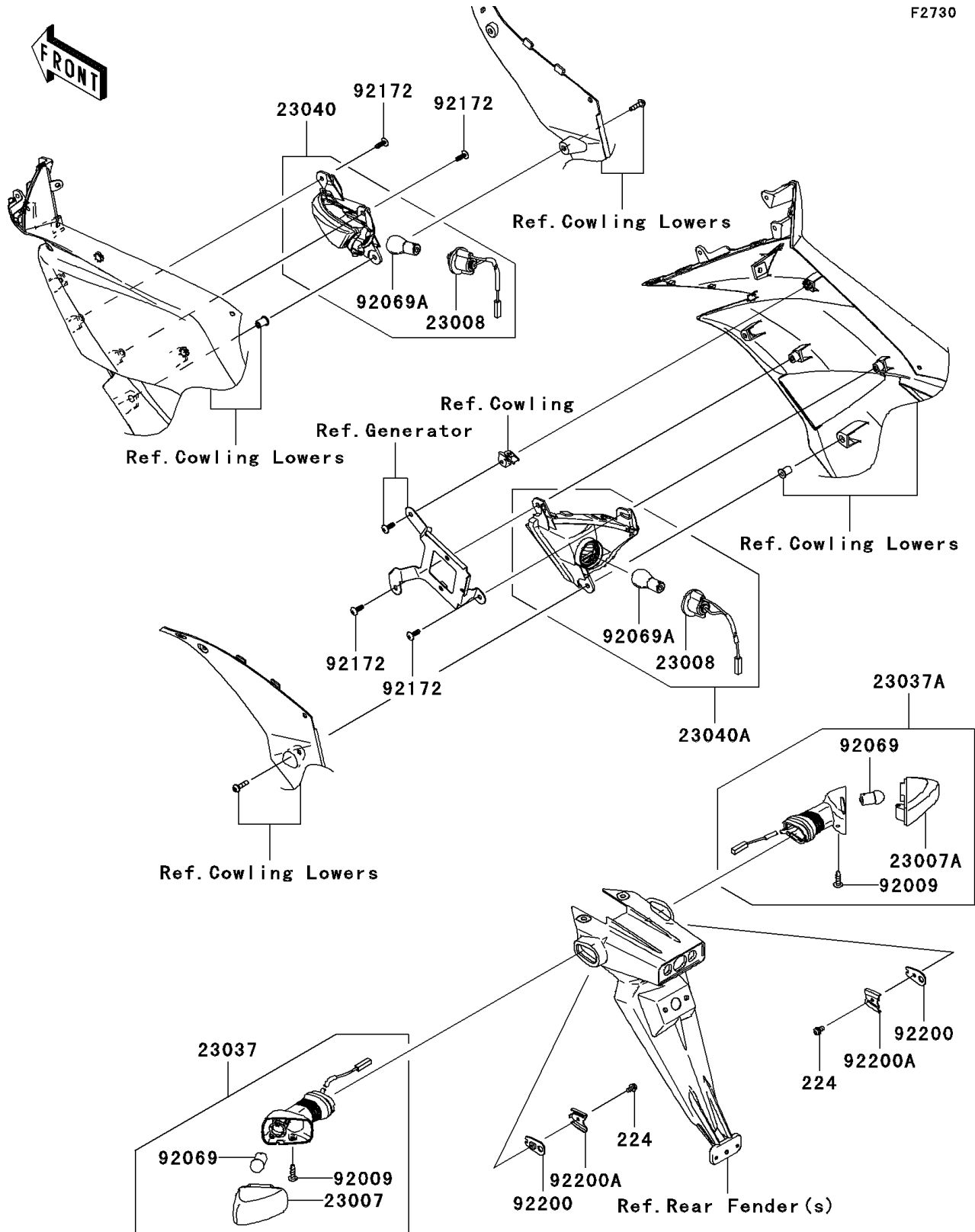


2011 NINJA® ZX™-6R PARTS DIAGRAM

Turn Signals

F2730



2011 NINJA® ZX™-6R PARTS LIST

Turn Signals

| ITEM NAME | PART NUMBER | QUANTITY |
|--|-------------|----------|
| SCREW-PAN-WP-CROS,4X8 (Ref # 224) | 224AB0408 | 1 |
| LENS-COMP,SIGNAL LAMP (Ref # 23007) | 23007-0102 | 1 |
| LENS-COMP,SIGNAL LAMP (Ref # 23007A) | 23007-0103 | 1 |
| SOCKET-ASSY,SIGNAL LAMP,FR (Ref # 23008) | 23008-0044 | 1 |
| LAMP-ASSY-SIGNAL,RR,LH (Ref # 23037) | 23037-0145 | 1 |
| LAMP-ASSY-SIGNAL,RR,RH (Ref # 23037A) | 23037-0146 | 1 |
| LAMP-SIGNAL,FR,LH (Ref # 23040) | 23040-0057 | 1 |
| LAMP-SIGNAL,FR,RH (Ref # 23040A) | 23040-0058 | 1 |
| SCREW,4X16,BLACK (Ref # 92009) | 92009-1158 | 1 |
| BULB,12V 10W (Ref # 92069) | 92069-0020 | 1 |
| BULB,12V 21W (Ref # 92069A) | 92069-1125 | 1 |
| SCREW,TAPPING,5X16 (Ref # 92172) | 92172-0175 | 1 |
| WASHER,SIGNAL LAMP (Ref # 92200) | 92200-0164 | 1 |
| WASHER,SIGNAL LAMP (Ref # 92200A) | 92200-0165 | 1 |