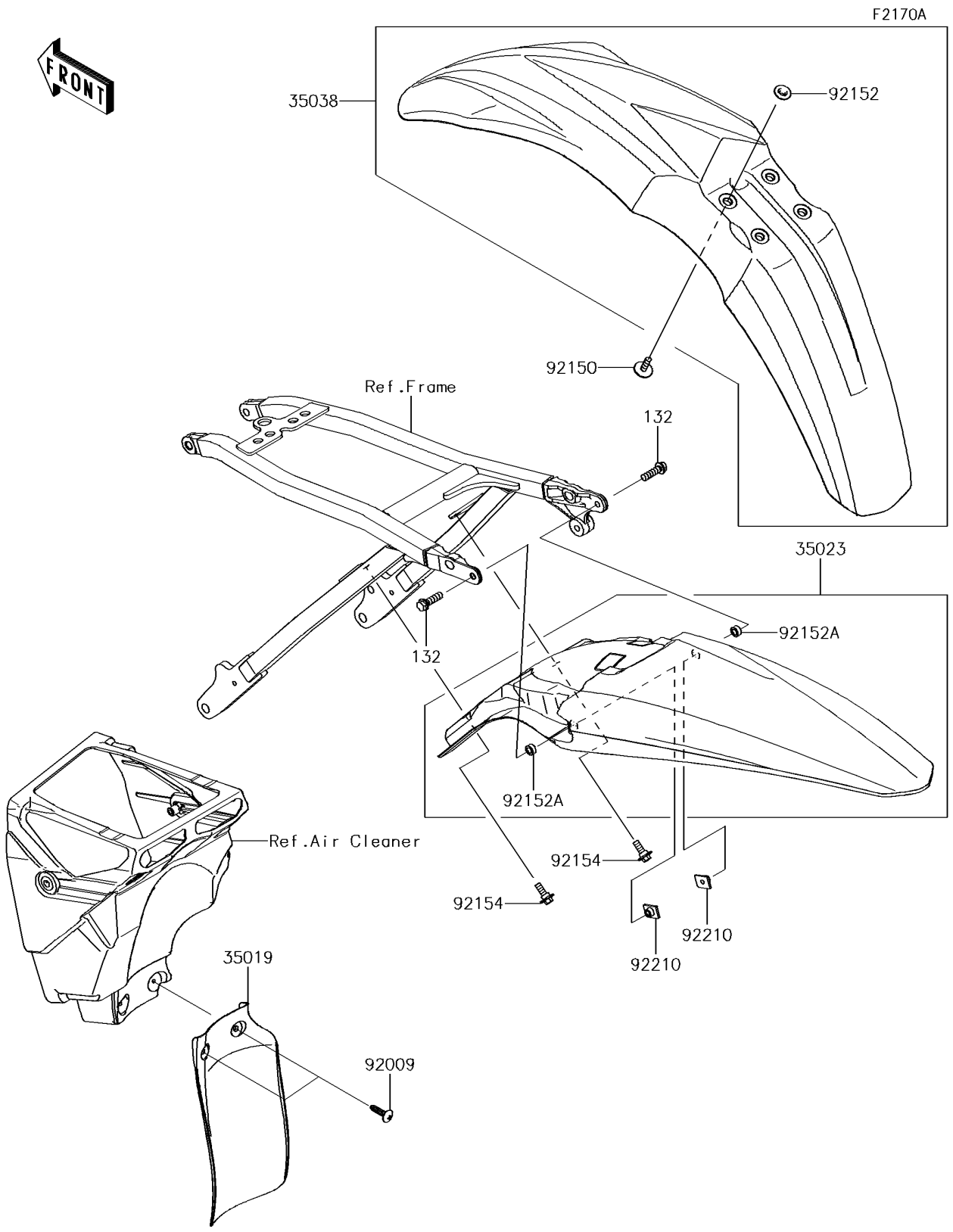


2018 KX™ 450F PARTS DIAGRAM

Fenders(HJF)



2018 KX™ 450F PARTS LIST

Fenders(HJF)

ITEM NAME	PART NUMBER	QUANTITY
BOLT-FLANGED-SMALL,6X20 (Ref # 132)	132BA0620	2
FLAP (Ref # 35019)	35019-0602	1
FENDER-REAR,L.GREEN (Ref # 35023)	35023-0415-290	1
FENDER-FRONT,L.GREEN (Ref # 35038)	35038-0008-290	1
SCREW,TAPPING,5X20 (Ref # 92009)	92009-1993	2
BOLT,6X20 (Ref # 92150)	92150-1801	4
COLLAR (Ref # 92152)	92152-1422	4
COLLAR,6.5X11X5 (Ref # 92152A)	92152-2223	2
BOLT,FLANGED,6X28 (Ref # 92154)	92154-1739	2
NUT,PLATE,6MM (Ref # 92210)	92210-1352	2