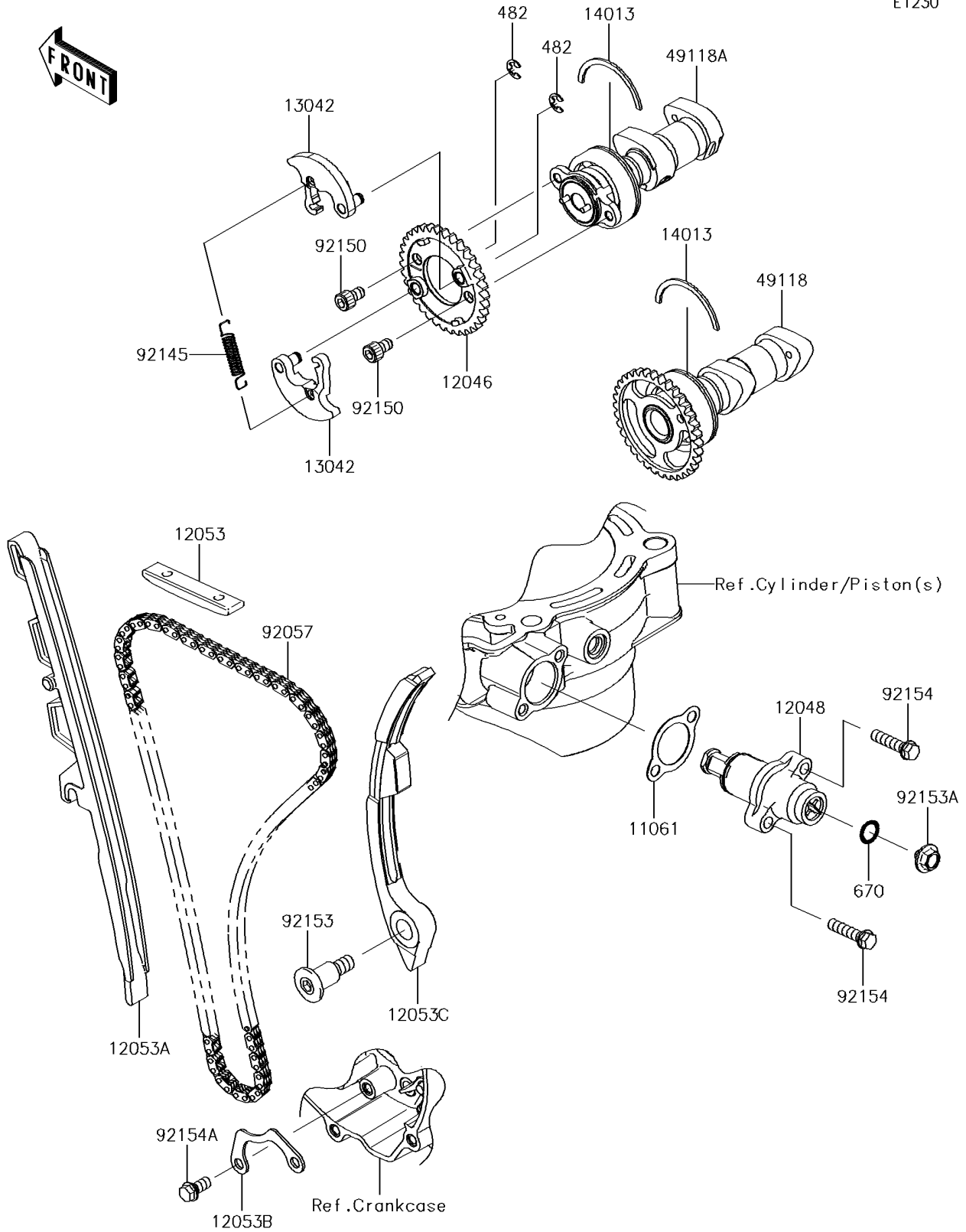


2018 KX™ 450F PARTS DIAGRAM

Camshaft(s)/Tensioner

E1230



2018 KX™ 450F PARTS LIST

Camshaft(s)/Tensioner

ITEM NAME	PART NUMBER	QUANTITY
GASKET (Ref # 11061)	11061-0260	1
SPROCKET,34T (Ref # 12046)	12046-0071	1
TENSIONER-ASSY (Ref # 12048)	12048-0021	1
GUIDE-CHAIN,UPP (Ref # 12053)	12053-0051	1
GUIDE-CHAIN,FR (Ref # 12053A)	12053-0224	1
GUIDE-CHAIN,CAM CHAIN STOPPER (Ref # 12053B)	12053-0226	1
GUIDE-CHAIN,RR (Ref # 12053C)	12053-0234	1
WEIGHT (Ref # 13042)	13042-0005	2
RING-POSITION (Ref # 14013)	14013-0001	2
CIRCLIP-TYPE-E,5MM (Ref # 482)	482J5000	2
CAMSHAFT-COMP,INTAKE (Ref # 49118)	49118-0874	1
CAMSHAFT-COMP,EXHAUST (Ref # 49118A)	49118-0875	1
O RING,10MM (Ref # 670)	670D2010	1
CHAIN,CAM,98XRH2010-122M (Ref # 92057)	92057-0180	1
SPRING (Ref # 92145)	92145-0390	1
BOLT,SOCKET,6X10 (Ref # 92150)	92150-1650	2
BOLT,8X29.5 (Ref # 92153)	92153-0717	1
BOLT,6X6 (Ref # 92153A)	92153-1380	1
BOLT,FLANGED,6X25 (Ref # 92154)	92154-0520	2
BOLT,FLANGED,6X12 (Ref # 92154A)	92154-2095	1